

FINAL POOL RELEASE – MARCH 1, 2011

(correction to reflect correct answer to G7A03 per errata)

Issued by the NCVEC QPC - February 23, 2011

Edits and Corrections to the General Class, Element 3 Pool

Released December 6, 2010 to be effective July 1, 2011- June 30, 2015

We have received feedback via the NCVEC website and through direct communications pointing out minor errors and suggesting clarifications for the 2011 General Class Pool just released. The QPC has reviewed all of these comments, and is now issuing the attached minor edits and clarifications to the pool. Note that a minor error in the schematic was corrected as well.

The schematic error did not affect any of the associated questions. Also, note that one question has been withdrawn as, on reconsideration, we felt it was confusing and of limited relevance. The other changes were corrections to remove minor typos, improve rules citations, and clarify questions.

Thanks to all who provided feedback, and to the committee who worked on these changes so diligently.

1. Question G0A06 is being withdrawn due to lack of clarity and limited relevance.

2. Figure G7-1 is replaced to correct schematic error in which the varactor diode (item 4) was shown reversed. (See new G7-1 files on the website: www.ncvec.org for download.)

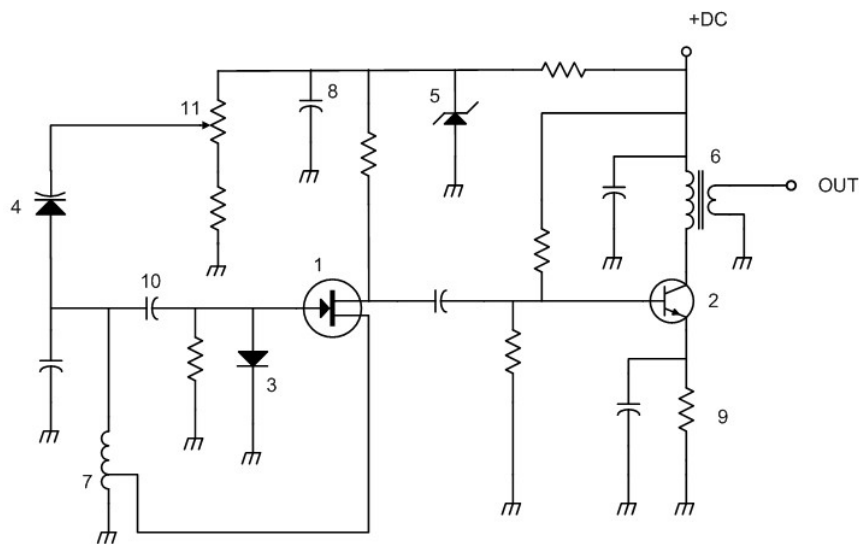


Figure G7-1

3. G1B03: Correct typo in rule citation. Change “97.1 (X)(9)” to read “97.3 (X)(9)”

4. G1C04: Clarification. Reword question: “Which of the following is a limitation on transmitter power on the 14 MHz band?”

5. G1C05: Clarification. Reword question: “Which of the following is a limitation on transmitter power on the 28 MHz band?”
6. G1C06: Clarification. Reword question: “Which of the following is a limitation on transmitter power on the 1.8 MHz band?”
7. G1D01: Rule reference as shown is incomplete. Change “97.119” to 97.119(f)(2)
8. G1D08: Clarification. In choice B. change “hold a US” to “hold an FCC-granted”
9. G1E04: Typo. Insert “licensee” following “Amateur Radio station”
10. G1E08: Clarification. Replace “US amateur station” with “station with an FCC-granted license”
11. G2B11: Add rules reference “[97.405]” following the question.
12. G2D02: Clarification. Replace “What are” with “Which of the following are”
13. G2E08: Correction: In A., change “3585” to “3570”
14. G4C06: Punctuation error. Change the comma in “A,” to a period “A.”
15. G4C11: Typo. Change “Process” to “Processor”
16. G4D07: Formatting Correction - question should be on a separate line from the question identifier.

17. G7A03: Clarification. Change “full-wave power supply” to “full-wave bridge power supply”, change the correct answer to (X) and insert “peak” after “normal” in choice D.

18. G7A04 Typos. Change “rectifiers” to “rectifier” in the question, and change correct answer from (X) to (X)

19. G9A04: Typo. Insert “the” following “What is”

20. G9C18: Typo. Delete “the” before “either horizontal”

Roland Anders, K3RA - LAUREL VEC

Chairman of NCVEC Question Pool Committee

Members of the Committee:

Perry Green, WY1O - ARRL VEC

Michael Maston, N6OPH - SANDARC-VEC

Larry Pollock, NB5X - W5YI VEC

Jim Wiley - KL7CC - Anchorage VEC

~~ End of errata~~

2011-2015 Element 3 General Class Question Pool

Original Release - December 6, 2010 – Revised as of February 23, 2011

This is the official release of the 2011 General Class (Element 3) Question pool from the Question Pool Committee of the NCVEC

This file is available on the ncvec.org website in PDF (Portable Document Format), Microsoft Word .DOC format, and .TXT format. Section G7A requires the use of one illustration, a schematic drawing identified as G7-1. Note that the figure for the 2011 pool differs from that of the previous pool. This drawing file is published separately and is available in raw JPEG and PDF format on the ncvec.org website.

As always, VECs are free to correct minor typographical and punctuation errors, including obvious minor omissions. Such corrections must not cause a change in the meaning of a question or any of the proposed answers to that question. Also, since rule citation references are not part of the question itself, but are included only to assist instructors and students when looking up the applicable section of the rules, errors in the reference identifiers are not considered adequate reason for removal of a question from the pool.

I wish to thank the committee members for their long hours and dedication to this task, and especially to thank Nancy Hallas, W1NCY, for her invaluable editorial assistance and Jim Nowotarski, N3GOO, for his assistance in drafting the figure.

Rol Anders, K3RA

Chairman, NCVEC QPC

Members of the committee:

Perry Green, WY1O

Mike Maston, N6OPH

Larry Pollock, NB5X

Jim Wiley, KL7CC

General Class Question Pool Syllabus 2011-2015

SUBELEMENT G1 - COMMISSION'S RULES [5 Exam Questions - 5 Groups]

G1A - General Class control operator frequency privileges; primary and secondary allocations

G1B - Antenna structure limitations; good engineering and good amateur practice; beacon operation; restricted operation; retransmitting radio signals

G1C - Transmitter power regulations; data emission standards

G1D - Volunteer Examiners and Volunteer Examiner Coordinators; temporary identification

G1E - Control categories; repeater regulations; harmful interference; third party rules; ITU regions

SUBELEMENT G2 - OPERATING PROCEDURES [5 Exam Questions - 5 Groups]

G2A Phone operating procedures; USB/LSB utilization conventions; procedural signals; breaking into a QSO in progress; VOX operation

G2B - Operating courtesy; band plans, emergencies, including drills and emergency communications

G2C - CW operating procedures and procedural signals, Q signals and common abbreviations; full break in

G2D - Amateur Auxiliary; minimizing interference; HF operations

G2E - Digital operating: procedures, procedural signals and common abbreviations

SUBELEMENT G3 - RADIO WAVE PROPAGATION [3 Exam Questions - 3 Groups]

G3A - Sunspots and solar radiation; ionospheric disturbances; propagation forecasting and indices

G3B - Maximum Usable Frequency; Lowest Usable Frequency; propagation

G3C – Ionospheric layers; critical angle and frequency; HF scatter; Near Vertical Incidence Sky waves

SUBELEMENT G4 - AMATEUR RADIO PRACTICES [5 Exam Questions - 5 groups]

G4A – Station Operation and setup

G4B - Test and monitoring equipment; two-tone test

G4C - Interference with consumer electronics; grounding; DSP

G4D - Speech processors; S meters; sideband operation near band edges

G4E - HF mobile radio installations; emergency and battery powered operation

SUBELEMENT G5 – ELECTRICAL PRINCIPLES [3 exam questions – 3 groups]

G5A - Reactance; inductance; capacitance; impedance; impedance matching

G5B - The Decibel; current and voltage dividers; electrical power calculations; sine wave root-mean-square (RMS) values; PEP calculations

G5C – Resistors, capacitors and inductors in series and parallel; transformers

SUBELEMENT G6 – CIRCUIT COMPONENTS [3 exam question – 3 groups]

G6A - Resistors; capacitors; inductors

G6B - Rectifiers; solid state diodes and transistors; vacuum tubes; batteries

G6C - Analog and digital integrated circuits (IC's); microprocessors; memory; I/O devices; microwave IC's (MMIC's); display devices

SUBELEMENT G7 – PRACTICAL CIRCUITS [3 exam question – 3 groups]

G7A - Power supplies; schematic symbols

G7B - Digital circuits; amplifiers and oscillators

G7C - Receivers and transmitters; filters, oscillators

SUBELEMENT G8 – SIGNALS AND EMISSIONS [2 exam questions – 2 groups]

G8A - Carriers and modulation: AM; FM; single and double sideband; modulation envelope; overmodulation

G8B - Frequency mixing; multiplication; HF data communications; bandwidths of various modes; deviation

SUBELEMENT G9 – ANTENNAS AND FEED LINES [4 exam questions – 4 groups]

G9A - Antenna feed lines: characteristic impedance and attenuation; SWR calculation, measurement and effects; matching networks

G9B - Basic antennas

G9C - Directional antennas

G9D - Specialized antennas

SUBELEMENT G0 – ELECTRICAL AND RF SAFETY [2 exam Questions – 2 groups]

G0A - RF safety principles, rules and guidelines; routine station evaluation

G0B - Safety in the ham shack: electrical shock and treatment, safety grounding, fusing, interlocks, wiring, antenna and tower safety

General Class Question Pool Effective July 1, 2011 - June 30, 2015

SUBLELEMENT G1 - COMMISSION'S RULES [5 Exam Questions - 5 Groups]

G1A - General Class control operator frequency privileges; primary and secondary allocations

G1A01 (X) [97.301(d), 97.303(s)]

On which of the following bands is a General Class license holder granted all amateur frequency privileges?

- A. 60, 20, 17, and 12 meters
- B. 160, 80, 40, and 10 meters
- C. 160, 60, 30, 17, 12, and 10 meters
- D. 160, 30, 17, 15, 12, and 10 meters

~~

G1A02 (X) [97.305]

On which of the following bands is phone operation prohibited?

- A. 160 meters
- B. 30 meters
- C. 17 meters
- D. 12 meters

~~

G1A03 (X) [97.305]

On which of the following bands is image transmission prohibited?

- A. 160 meters
- B. 30 meters
- C. 20 meters
- D. 12 meters

~~

G1A04 (X) [97.303 (s)]

Which of the following amateur bands is restricted to communication on only specific channels, rather than frequency ranges?

- A. 11 meters
- B. 12 meters
- C. 30 meters
- D. 60 meters

~~

G1A05 (X) [97.301(d)]

Which of the following frequencies is in the General Class portion of the 40 meter band?

- A. 7.250 MHz
- B. 7.500 MHz
- C. 40.200 MHz
- D. 40.500 MHz

~~

G1A06 (X) [97.301(d)]
Which of the following frequencies is in the 12 meter band?
A. 3.940 MHz
B. 12.940 MHz
C. 17.940 MHz
D. 24.940 MHz
~~

G1A07 (X) [97.301(d)]
Which of the following frequencies is within the General Class portion of the 75 meter phone band?
A. 1875 kHz
B. 3750 kHz
C. 3900 kHz
D. 4005 kHz
~~

G1A08 (X) [97.301(d)]
Which of the following frequencies is within the General Class portion of the 20 meter phone band?
A. 14005 kHz
B. 14105 kHz
C. 14305 kHz
D. 14405 kHz
~~

G1A09 (X) [97.301(d)]
Which of the following frequencies is within the General Class portion of the 80 meter band?
A. 1855 kHz
B. 2560 kHz
C. 3560 kHz
D. 3650 kHz
~~

G1A10 (X) [97.301(d)]
Which of the following frequencies is within the General Class portion of the 15 meter band?
A. 14250 kHz
B. 18155 kHz
C. 21300 kHz
D. 24900 kHz
~~

G1A11 (X) [97.301(d)]

Which of the following frequencies is available to a control operator holding a General Class license?

- A. 28.020 MHz
- B. 28.350 MHz
- C. 28.550 MHz
- D. All of these choices are correct

~~

G1A12 (X) [97.301]

When General Class licensees are not permitted to use the entire voice portion of a particular band, which portion of the voice segment is generally available to them?

- A. The lower frequency end
- B. The upper frequency end
- C. The lower frequency end on frequencies below 7.3 MHz and the upper end on frequencies above 14.150 MHz
- D. The upper frequency end on frequencies below 7.3 MHz and the lower end on frequencies above 14.150 MHz

~~

G1A13 (X) [97.303]

Which, if any, amateur band is shared with the Citizens Radio Service?

- A. 10 meters
- B. 12 meters
- C. 15 meters
- D. None

~~

G1A14 (X) [97.303]

Which of the following applies when the FCC rules designate the Amateur Service as a secondary user on a band?

- A. Amateur stations must record the call sign of the primary service station before operating on a frequency assigned to that station
- B. Amateur stations are allowed to use the band only during emergencies
- C. Amateur stations are allowed to use the band only if they do not cause harmful interference to primary users
- D. Amateur stations may only operate during specific hours of the day, while primary users are permitted 24 hour use of the band

~~

G1A15 (X) [97.303]

What is the appropriate action if, when operating on either the 30 or 60 meter bands, a station in the primary service interferes with your contact?

- A. Notify the FCC's regional Engineer in Charge of the interference
- B. Increase your transmitter's power to overcome the interference
- C. Attempt to contact the station and request that it stop the interference
- D. Move to a clear frequency

~~

G1B - Antenna structure limitations; good engineering and good amateur practice; beacon operation; restricted operation; retransmitting radio signals

G1B01 (X) [97.15(a)]

What is the maximum height above ground to which an antenna structure may be erected without requiring notification to the FAA and registration with the FCC, provided it is not at or near a public use airport?

- A. 50 feet
- B. 100 feet
- C. 200 feet
- D. 300 feet

~~

G1B02 (X) [97.203(b)]

With which of the following conditions must beacon stations comply?

- A. A beacon station may not use automatic control
- B. The frequency must be coordinated with the National Beacon Organization
- C. The frequency must be posted on the Internet or published in a national periodical
- D. There must be no more than one beacon signal in the same band from a single location

~~

G1B03 (X) [97.3(a)(9)]

Which of the following is a purpose of a beacon station as identified in the FCC Rules?

- A. Observation of propagation and reception
- B. Automatic identification of repeaters
- C. Transmission of bulletins of general interest to Amateur Radio licensees
- D. Identifying net frequencies

~~

G1B04 (X) [97.113(b)]

Which of the following must be true before amateur stations may provide communications to broadcasters for dissemination to the public?

- A. The communications must directly relate to the immediate safety of human life or protection of property and there must be no other means of communication reasonably available before or at the time of the event
- B. The communications must be approved by a local emergency preparedness official and conducted on officially designated frequencies
- C. The FCC must have declared a state of emergency
- D. All of these choices are correct

~~

G1B05 (X) [97.113(a)(5),(e)]

When may music be transmitted by an amateur station?

- A. At any time, as long as it produces no spurious emissions
- B. When it is unintentionally transmitted from the background at the transmitter
- C. When it is transmitted on frequencies above 1215 MHz
- D. When it is an incidental part of a manned space craft retransmission

~~

G1B06 (X) [97.113(a)(4) and 97.207(f)]

When is an amateur station permitted to transmit secret codes?

- A. During a declared communications emergency
- B. To control a space station
- C. Only when the information is of a routine, personal nature
- D. Only with Special Temporary Authorization from the FCC

~~

G1B07 (X) [97.113(a)(4)]

What are the restrictions on the use of abbreviations or procedural signals in the Amateur Service?

- A. Only "Q" codes are permitted
- B. They may be used if they do not obscure the meaning of a message
- C. They are not permitted
- D. Only "10 codes" are permitted

~~

G1B08 (X)

When choosing a transmitting frequency, what should you do to comply with good amateur practice?

- A. Review FCC Part 97 Rules regarding permitted frequencies and emissions?
- B. Follow generally accepted band plans agreed to by the Amateur Radio community.
- C. Before transmitting, listen to avoid interfering with ongoing communication
- D. All of these choices are correct

~~

G1B09 (X) [97.113(a)(3)]

When may an amateur station transmit communications in which the licensee or control operator has a pecuniary (monetary) interest?

- A. When other amateurs are being notified of the sale of apparatus normally used in an amateur station and such activity is not done on a regular basis
- B. Only when there is no other means of communications readily available
- C. When other amateurs are being notified of the sale of any item with a monetary value less than \$200 and such activity is not done on a regular basis
- D. Never

~~

G1B10 (X) [97.203(c)]

What is the power limit for beacon stations?

- A. 10 watts PEP output
- B. 20 watts PEP output
- C. 100 watts PEP output
- D. 200 watts PEP output

~~

G1B11 (X) [97.101(a)]

How does the FCC require an amateur station to be operated in all respects not specifically covered by the Part 97 rules?

- A. In conformance with the rules of the IARU
- B. In conformance with Amateur Radio custom
- C. In conformance with good engineering and good amateur practice
- D. All of these choices are correct

~~

G1B12 (X) [97.101(a)]

Who or what determines "good engineering and good amateur practice" as applied to the operation of an amateur station in all respects not covered by the Part 97 rules?

- A. The FCC
- B. The Control Operator
- C. The IEEE
- D. The ITU

~~

G1C - Transmitter power regulations; data emission standards

G1C01 (X) [97.313(c)(1)]

What is the maximum transmitting power an amateur station may use on 10.140 MHz?

- A. 200 watts PEP output
- B. 1000 watts PEP output
- C. 1500 watts PEP output
- D. 2000 watts PEP output

~~

G1C02 (X) [97.313(a),(b)]

What is the maximum transmitting power an amateur station may use on the 12 meter band?

- A. 1500 PEP output, except for 200 watts PEP output in the Novice portion
- B. 200 watts PEP output
- C. 1500 watts PEP output
- D. An effective radiated power equivalent to 50 watts from a half-wave dipole

~~

G1C03 (X) [97.303s]

What is the maximum bandwidth permitted by FCC rules for Amateur Radio stations when transmitting on USB frequencies in the 60 meter band?

- A. 2.8 kHz
- B. 5.6 kHz
- C. 1.8 kHz
- D. 3 kHz

~~

G1C04 (X) [97.313]

Which of the following is a limitation on transmitter power on the 14 MHz band?

- A. Only the minimum power necessary to carry out the desired communications should be used
- B. Power must be limited to 200 watts when transmitting between 14.100 MHz and 14.150 MHz
- C. Power should be limited as necessary to avoid interference to another radio service on the frequency
- D. Effective radiated power cannot exceed 3000 watts

~~

G1C05 (X) [97.313]

Which of the following is a limitation on transmitter power on the 28 MHz band?

- A. 100 watts PEP output
- B. 1000 watts PEP output
- C. 1500 watts PEP output
- D. 2000 watts PEP output

~~

G1C06 (X) [97.313]

Which of the following is a limitation on transmitter power on 1.8 MHz band?

- A. 200 watts PEP output
- B. 1000 watts PEP output
- C. 1200 watts PEP output
- D. 1500 watts PEP output

~~

G1C07 (X) [97.305(c), 97.307(f)(3)]

What is the maximum symbol rate permitted for RTTY or data emission transmission on the 20 meter band?

- A. 56 kilobaud
- B. 19.6 kilobaud
- C. 1200 baud
- D. 300 baud

~~

G1C08 (X) [97.307(f)(3)]

What is the maximum symbol rate permitted for RTTY or data emission transmitted at frequencies below 28 MHz?

- A. 56 kilobaud
- B. 19.6 kilobaud
- C. 1200 baud
- D. 300 baud

~~

G1C09 (X) [97.305(c) and 97.307(f)(5)]

What is the maximum symbol rate permitted for RTTY or data emission transmitted on the 1.25 meter and 70 centimeter bands

- A. 56 kilobaud
- B. 19.6 kilobaud
- C. 1200 baud
- D. 300 baud

~~

G1C10 (X) [97.305(c) and 97.307(f)(4)]

What is the maximum symbol rate permitted for RTTY or data emission transmissions on the 10 meter band?

- A. 56 kilobaud
- B. 19.6 kilobaud
- C. 1200 baud
- D. 300 baud

~~

G1C11 (X) [97.305(c) and 97.307(f)(5)]

What is the maximum symbol rate permitted for RTTY or data emission transmissions on the 2 meter band?

- A. 56 kilobaud
- B. 19.6 kilobaud
- C. 1200 baud
- D. 300 baud

~~

G1D - Volunteer Examiners and Volunteer Examiner Coordinators; temporary identification

G1D01 (X) [97.119(f)(2)]

Which of the following is a proper way to identify when transmitting using phone on General Class frequencies if you have a CSCE for the required elements but your upgrade from Technician has not appeared in the FCC database?

- A. Give your call sign followed by the words "General Class"
- B. No special identification is needed
- C. Give your call sign followed by "slant AG"
- D. Give your call sign followed the abbreviation "CSCE"

~~

G1D02 (X) [97.509(b)(3)(i)]

What license examinations may you administer when you are an accredited VE holding a General Class operator license?

- A. General and Technician
- B. General only
- C. Technician only
- D. Extra, General and Technician

~~

G1D03 (X) [97.9(b)]

On which of the following band segments may you operate if you are a Technician Class operator and have a CSCE for General Class privileges?

- A. Only the Technician band segments until your upgrade is posted on the FCC database
- B. Only on the Technician band segments until your license arrives in the mail
- C. On any General or Technician Class band segment
- D. On any General or Technician Class band segment except 30 and 60 meters

~~

G1D04 (X) [97.509(a)(b)]

Which of the following is a requirement for administering a Technician Class operator examination?

- A. At least three VEC accredited General Class or higher VEs must be present
- B. At least two VEC accredited General Class or higher VEs must be present
- C. At least two General Class or higher VEs must be present, but only one need be VEC accredited
- D. At least three VEs of Technician Class or higher must be present

~~

G1D05 (X) [97.509(b)(3)(i)]

Which of the following is sufficient for you to be an administering VE for a Technician Class operator license examination?

- A. Notification to the FCC that you want to give an examination
- B. Receipt of a CSCE for General Class
- C. Possession of a properly obtained telegraphy license
- D. An FCC General Class or higher license and VEC accreditation

~~

G1D06 (X) [97.119(f)(2)]

When must you add the special identifier "AG" after your call sign if you are a Technician Class licensee and have a CSCE for General Class operator privileges, but the FCC has not yet posted your upgrade on its Web site?

- A. Whenever you operate using General Class frequency privileges
- B. Whenever you operate on any amateur frequency
- C. Whenever you operate using Technician frequency privileges
- D. A special identifier is not required as long as your General Class license application has been filed with the FCC

~~

G1D07 (X) [97.509(b)(1)]

Volunteer Examiners are accredited by what organization?

- A. The Federal Communications Commission
- B. The Universal Licensing System
- C. A Volunteer Examiner Coordinator
- D. The Wireless Telecommunications Bureau

~~

G1D08 (X) [97.509(b)(3)]

Which of the following criteria must be met for a non-U.S. citizen to be an accredited Volunteer Examiner?

- A. The person must be a resident of the U.S. for a minimum of 5 years
- B. The person must hold an FCC granted Amateur Radio license of General Class or above
- C. The person's home citizenship must be in the ITU 2 region
- D. None of these choices is correct; non-U.S. citizens cannot be volunteer examiners

~~

G1D09 (X) [97.9(b)]

How long is a Certificate of Successful Completion of Examination (CSCE) valid for exam element credit?

- A. 30 days
- B. 180 days
- C. 365 days
- D. For as long as your current license is valid

~~

G1D10 (X) [97.509(b)(2)]

What is the minimum age that one must be to qualify as an accredited Volunteer Examiner?

- A. 12 years
- B. 18 years
- C. 21 years
- D. There is no age limit

~~

G1E - Control categories; repeater regulations; harmful interference; third party rules; ITU regions

G1E01 (X) [97.115(b)(2)]

Which of the following would disqualify a third party from participating in stating a message over an amateur station?

- A. The third party's amateur license had ever been revoked
- B. The third party is not a U.S. citizen
- C. The third party is a licensed amateur
- D. The third party is speaking in a language other than English, French, or Spanish

~~

G1E02 (X) [97.205(a)]

When may a 10 meter repeater retransmit the 2 meter signal from a station having a Technician Class control operator?

- A. Under no circumstances
- B. Only if the station on 10 meters is operating under a Special Temporary Authorization allowing such retransmission
- C. Only during an FCC declared general state of communications emergency
- D. Only if the 10 meter repeater control operator holds at least a General Class license

~~

G1E03 (X) [97.301(d)]

In what ITU region is operation in the 7.175 to 7.300 MHz band permitted for a control operator holding an FCC-issued General Class license?

- A. Region 1
- B. Region 2
- C. Region 3
- D. All three regions

~~

G1E04 (X) [97.13(b),97.311(b),97.303]

Which of the following conditions require an Amateur Radio station licensee to take specific steps to avoid harmful interference to other users or facilities?

- A. When operating within one mile of an FCC Monitoring Station
- B. When using a band where the Amateur Service is secondary
- C. When a station is transmitting spread spectrum emissions
- D. All of these choices are correct

~~

G1E05 (X) [97.115(a)(2),97.117]

What types of messages for a third party in another country may be transmitted by an amateur station?

- A. Any message, as long as the amateur operator is not paid
- B. Only messages for other licensed amateurs
- C. Only messages relating to Amateur Radio or remarks of a personal character, or messages relating to emergencies or disaster relief
- D. Any messages, as long as the text of the message is recorded in the station log

~~

G1E06 (X) [97.205(c)]

Which of the following applies in the event of interference between a coordinated repeater and an uncoordinated repeater?

- A. The licensee of the non-coordinated repeater has primary responsibility to resolve the interference
- B. The licensee of the coordinated repeater has primary responsibility to resolve the interference
- C. Both repeater licensees share equal responsibility to resolve the interference
- D. The frequency coordinator bears primary responsibility to resolve the interference

~~

G1E07 (X) [97.115(a)(2)]

With which foreign countries is third party traffic prohibited, except for messages directly involving emergencies or disaster relief communications?

- A. Countries in ITU Region 2
- B. Countries in ITU Region 1
- C. Every foreign country, unless there is a third party agreement in effect with that country
- D. Any country which is not a member of the International Amateur Radio Union (IARU)

~~

G1E08 (X) [97.115(a)(b)]

Which of the following is a requirement for a non-licensed person to communicate with a foreign Amateur Radio station from a station with an FCC granted license at which a licensed control operator is present?

- A. Information must be exchanged in English
- B. The foreign amateur station must be in a country with which the United States has a third party agreement
- C. The control operator must have at least a General Class license
- D. All of these choices are correct

~~

G1E09 (X) [97.119(b)(2)]

What language must you use when identifying your station if you are using a language other than English in making a contact using phone emission?

- A. The language being used for the contact
- B. Any language if the US has a third party agreement with that country
- C. English
- D. Any language of a country that is a member of the ITU

~~

G1E10 (X) [97.205(b)]

What portion of the 10 meter band is available for repeater use?

- A. The entire band
- B. The portion between 28.1 MHz and 28.2 MHz
- C. The portion between 28.3 MHz and 28.5 MHz
- D. The portion above 29.5 MHz

~~

SUBLEMENT G2 - OPERATING PROCEDURES [5 Exam Questions - 5 Groups]

G2A - Phone operating procedures; USB/LSB utilization conventions; procedural signals; breaking into a QSO in progress; VOX operation

G2A01 (X)

Which sideband is most commonly used for voice communications on frequencies of 14 MHz or higher?

- A. Upper sideband
- B. Lower sideband
- C. Vestigial sideband
- D. Double sideband

~~

G2A02 (X)

Which of the following modes is most commonly used for voice communications on the 160, 75, and 40 meter bands?

- A. Upper sideband
- B. Lower sideband
- C. Vestigial sideband
- D. Double sideband

~~

G2A03 (X)

Which of the following is most commonly used for SSB voice communications in the VHF and UHF bands?

- A. Upper sideband
- B. Lower sideband
- C. Vestigial sideband
- D. Double sideband

~~

G2A04 (X)

Which mode is most commonly used for voice communications on the 17 and 12 meter bands?

- A. Upper sideband
- B. Lower sideband
- C. Vestigial sideband
- D. Double sideband

~~

G2A05 (X)

Which mode of voice communication is most commonly used on the high frequency amateur bands?

- A. Frequency modulation
- B. Double sideband
- C. Single sideband
- D. Phase modulation

~~

G2A06 (X)

Which of the following is an advantage when using single sideband as compared to other analog voice modes on the HF amateur bands?

- A. Very high fidelity voice modulation
- B. Less bandwidth used and higher power efficiency
- C. Ease of tuning on receive and immunity to impulse noise
- D. Less subject to static crashes (atmospherics)

~~

G2A07 (X)

Which of the following statements is true of the single sideband (SSB) voice mode?

- A. Only one sideband and the carrier are transmitted; the other sideband is suppressed
- B. Only one sideband is transmitted; the other sideband and carrier are suppressed
- C. SSB voice transmissions have higher average power than any other mode
- D. SSB is the only mode that is authorized on the 160, 75 and 40 meter amateur bands

~~

G2A08 (X)

Which of the following is a recommended way to break into a conversation when using phone?

- A. Say "QRZ" several times followed by your call sign
- B. Say your call sign during a break between transmissions from the other stations
- C. Say "Break. Break. Break." and wait for a response
- D. Say "CQ" followed by the call sign of either station

~~

G2A09 (X)

Why do most amateur stations use lower sideband on the 160, 75 and 40 meter bands?

- A. Lower sideband is more efficient than upper sideband at these frequencies
- B. Lower sideband is the only sideband legal on these frequency bands
- C. Because it is fully compatible with an AM detector
- D. Current amateur practice is to use lower sideband on these frequency bands

~~

G2A10 (X)

Which of the following statements is true of SSB VOX operation?

- A. The received signal is more natural sounding
- B. VOX allows "hands free" operation
- C. Frequency spectrum is conserved
- D. Provides more power output

~~

G2A11 (X)

What does the expression "CQ DX" usually indicate?

- A. A general call for any station
- B. The caller is listening for a station in Germany
- C. The caller is looking for any station outside their own country
- D. A distress call

~~

G2B - Operating courtesy; band plans; emergencies, including drills and emergency communications

G2B01 (X)

Which of the following is true concerning access to frequencies?

- A. Nets always have priority
- B. QSO's in process always have priority
- C. No one has priority access to frequencies, common courtesy should be a guide
- D. Contest operations must always yield to non-contest use of frequencies

~~

G2B02 (X)

What is the first thing you should do if you are communicating with another amateur station and hear a station in distress break in?

- A. Continue your communication because you were on frequency first
- B. Acknowledge the station in distress and determine what assistance may be needed
- C. Change to a different frequency
- D. Immediately cease all transmissions

~~

G2B03 (X)

If propagation changes during your contact and you notice increasing interference from other activity on the same frequency, what should you do?

- A. Tell the interfering stations to change frequency
- B. Report the interference to your local Amateur Auxiliary Coordinator
- C. As a common courtesy, move your contact to another frequency
- D. Increase power to overcome interference

~~

G2B04 (X)

When selecting a CW transmitting frequency, what minimum frequency separation should you allow in order to minimize interference to stations on adjacent frequencies?

- A. 5 to 50 Hz
- B. 150 to 500 Hz
- C. 1 to 3 kHz
- D. 3 to 6 kHz

~~

G2B05 (X)

What is the customary minimum frequency separation between SSB signals under normal conditions?

- A. Between 150 and 500 Hz
- B. Approximately 3 kHz
- C. Approximately 6 kHz
- D. Approximately 10 kHz

~~

G2B06 (X)

What is a practical way to avoid harmful interference when selecting a frequency to call CQ on CW or phone?

- A. Send "QRL?" on CW, followed by your call sign; or, if using phone, ask if the frequency is in use, followed by your call sign
- B. Listen for 2 minutes before calling CQ
- C. Send the letter "V" in Morse code several times and listen for a response
- D. Send "QSY" on CW or if using phone, announce "the frequency is in use", then send your call and listen for a response

~~

G2B07 (X)

Which of the following complies with good amateur practice when choosing a frequency on which to initiate a call?

- A. Check to see if the channel is assigned to another station
- B. Identify your station by transmitting your call sign at least 3 times
- C. Follow the voluntary band plan for the operating mode you intend to use
- D. All of these choices are correct

~~

G2B08 (X)

What is the "DX window" in a voluntary band plan?

- A. A portion of the band that should not be used for contacts between stations within the 48 contiguous United States
- B. An FCC rule that prohibits contacts between stations within the United States and possessions on that band segment
- C. An FCC rule that allows only digital contacts in that portion of the band
- D. A portion of the band that has been voluntarily set aside for digital contacts only

~~

G2B09 (X) [97.407(a)]

Who may be the control operator of an amateur station transmitting in RACES to assist relief operations during a disaster?

- A. Only a person holding an FCC issued amateur operator license
- B. Only a RACES net control operator
- C. A person holding an FCC issued amateur operator license or an appropriate government official
- D. Any control operator when normal communication systems are operational

~~

G2B10 (X) [97.407(b)]

When may the FCC restrict normal frequency operations of amateur stations participating in RACES?

- A. When they declare a temporary state of communication emergency
- B. When they seize your equipment for use in disaster communications
- C. Only when all amateur stations are instructed to stop transmitting
- D. When the President's War Emergency Powers have been invoked

~~

G2B11 (X) [97.405]

What frequency should be used to send a distress call?

- A. Whatever frequency has the best chance of communicating the distress message
- B. Only frequencies authorized for RACES or ARES stations
- C. Only frequencies that are within your operating privileges
- D. Only frequencies used by police, fire or emergency medical services

~~

G2B12 (X) [97.405(b)]

When is an amateur station allowed to use any means at its disposal to assist another station in distress?

- A. Only when transmitting in RACES
- B. At any time when transmitting in an organized net
- C. At any time during an actual emergency
- D. Only on authorized HF frequencies

~~

G2C - CW operating procedures and procedural signals; Q signals and common abbreviations: full break in

G2C01 (X)

Which of the following describes full break-in telegraphy (QSK)?

- A. Breaking stations send the Morse code prosign BK
- B. Automatic keyers are used to send Morse code instead of hand keys
- C. An operator must activate a manual send/receive switch before and after every transmission
- D. Transmitting stations can receive between code characters and elements

~~

G2C02 (X)

What should you do if a CW station sends "QRS"?

- A. Send slower
- B. Change frequency
- C. Increase your power
- D. Repeat everything twice

~~

G2C03 (X)

What does it mean when a CW operator sends "KN" at the end of a transmission?

- A. Listening for novice stations
- B. Operating full break-in
- C. Listening only for a specific station or stations
- D. Closing station now

~~

G2C04 (X)

What does it mean when a CW operator sends "CL" at the end of a transmission?

- A. Keep frequency clear
- B. Operating full break-in
- C. Listening only for a specific station or stations
- D. Closing station

~~

G2C05 (X)

What is the best speed to use answering a CQ in Morse Code?

- A. The fastest speed at which you are comfortable copying
- B. The speed at which the CQ was sent
- C. A slow speed until contact is established
- D. 5 wpm, as all operators licensed to operate CW can copy this speed

~~

G2C06 (X)

What does the term "zero beat" mean in CW operation?

- A. Matching the speed of the transmitting station
- B. Operating split to avoid interference on frequency
- C. Sending without error
- D. Matching your transmit frequency to the frequency of a received signal.

~~

G2C07 (X)

When sending CW, what does a "C" mean when added to the RST report?

- A. Chirpy or unstable signal
- B. Report was read from S meter reading rather than estimated
- C. 100 percent copy
- D. Key clicks

~~

G2C08 (X)

What prosign is sent to indicate the end of a formal message when using CW?

- A. SK
- B. BK
- C. AR
- D. KN

~~

G2C09 (X)

What does the Q signal "QSL" mean?

- A. Send slower
- B. We have already confirmed by card
- C. I acknowledge receipt
- D. We have worked before

~~

G2C10 (X)

What does the Q signal "QRQ" mean?

- A. Slow down
- B. Send faster
- C. Zero beat my signal
- D. Quitting operation

~~

G2C11 (X)

What does the Q signal "QRV" mean?

- A. You are sending too fast
- B. There is interference on the frequency
- C. I am quitting for the day
- D. I am ready to receive messages

~~

G2D - Amateur Auxiliary; minimizing interference; HF operations

G2D01 (X)

What is the Amateur Auxiliary to the FCC?

- A. Amateur volunteers who are formally enlisted to monitor the airwaves for rules violations
- B. Amateur volunteers who conduct amateur licensing examinations
- C. Amateur volunteers who conduct frequency coordination for amateur VHF repeaters
- D. Amateur volunteers who use their station equipment to help civil defense organizations in times of emergency

~~

G2D02 (X)

Which of the following are objectives of the Amateur Auxiliary?

- A. To conduct efficient and orderly amateur licensing examinations
- B. To encourage amateur self regulation and compliance with the rules
- C. To coordinate repeaters for efficient and orderly spectrum usage
- D. To provide emergency and public safety communications

~~

G2D03 (X)

What skills learned during "hidden transmitter hunts" are of help to the Amateur Auxiliary?

- A. Identification of out of band operation
- B. Direction finding used to locate stations violating FCC Rules
- C. Identification of different call signs
- D. Hunters have an opportunity to transmit on non-amateur frequencies

~~

G2D04 (X)

Which of the following describes an azimuthal projection map?

- A. A world map that shows accurate land masses
- B. A world map projection centered on a particular location
- C. A world map that shows the angle at which an amateur satellite crosses the equator
- D. A world map that shows the number of degrees longitude that an amateur satellite appears to move westward at the equator with each orbit

~~

G2D05 (X) [97.111(a)(1)]

When is it permissible to communicate with amateur stations in countries outside the areas administered by the Federal Communications Commission?

- A. Only when the foreign country has a formal third party agreement filed with the FCC
- B. When the contact is with amateurs in any country except those whose administrations have notified the ITU that they object to such communications
- C. When the contact is with amateurs in any country as long as the communication is conducted in English
- D. Only when the foreign country is a member of the International Amateur Radio Union

~~

G2D06 (X)

How is a directional antenna pointed when making a "long-path" contact with another station?

- A. Toward the rising Sun
- B. Along the gray line
- C. 180 degrees from its short-path heading
- D. Toward the north

~~

G2D07 (X) [97.303s]

Which of the following is required by the FCC rules when operating in the 60 meter band?

- A. If you are using other than a dipole antenna, you must keep a record of the gain of your antenna
- B. You must keep a log of the date, time, frequency, power level and stations worked
- C. You must keep a log of all third party traffic
- D. You must keep a log of the manufacturer of your equipment and the antenna used

~~

G2D08 (X)

Why do many amateurs keep a log even though the FCC doesn't require it?

- A. The ITU requires a log of all international contacts
- B. The ITU requires a log of all international third party traffic
- C. The log provides evidence of operation needed to renew a license without retest
- D. To help with a reply if the FCC requests information

~~

G2D09 (X)

What information is traditionally contained in a station log?

- A. Date and time of contact
- B. Band and/or frequency of the contact
- C. Call sign of station contacted and the signal report given
- D. All of these choices are correct

~~

G2D10 (X)

What is QRP operation?

- A. Remote piloted model control
- B. Low power transmit operation
- C. Transmission using Quick Response Protocol
- D. Traffic relay procedure net operation

~~

G2D11 (X)

Which HF antenna would be the best to use for minimizing interference?

- A. A quarter-wave vertical antenna
- B. An isotropic antenna
- C. A unidirectional antenna
- D. An omnidirectional antenna

~~

G2E - Digital operating: procedures, procedural signals and common abbreviations

G2E01 (X)

Which mode is normally used when sending an RTTY signal via AFSK with an SSB transmitter?

- A. USB
- B. DSB
- C. CW
- D. LSB

~~

G2E02 (X)

How many data bits are sent in a single PSK31 character?

- A. The number varies
- B. 5
- C. 7
- D. 8

~~

G2E03 (X)

What part of a data packet contains the routing and handling information?

- A. Directory
- B. Preamble
- C. Header
- D. Footer

~~

G2E04 (X)

What segment of the 20 meter band is most often used for data transmissions?

- A. 14.000 - 14.050 MHz
- B. 14.070 - 14.100 MHz
- C. 14.150 - 14.225 MHz
- D. 14.275 - 14.350 MHz

~~

G2E05 (X)

Which of the following describes Baudot code?

- A. A 7-bit code with start, stop and parity bits
- B. A code using error detection and correction
- C. A 5-bit code with additional start and stop bits
- D. A code using SELCAL and LISTEN

~~

G2E06 (X)

What is the most common frequency shift for RTTY emissions in the amateur HF bands?

- A. 85 Hz
- B. 170 Hz
- C. 425 Hz
- D. 850 Hz

~~

G2E07 (X)

What does the abbreviation "RTTY" stand for?

- A. Returning to you
- B. Radioteletype
- C. A general call to all digital stations
- D. Repeater transmission type

~~

G2E08 (X)

What segment of the 80 meter band is most commonly used for data transmissions?

- A. 3570 - 3600 kHz
- B. 3500 - 3525 kHz
- C. 3700 - 3750 kHz
- D. 3775 - 3825 kHz

~~

G2E09 (X)

In what segment of the 20 meter band are most PSK31 operations commonly found?

- A. At the bottom of the slow-scan TV segment, near 14.230 MHz
- B. At the top of the SSB phone segment near 14.325 MHz
- C. In the middle of the CW segment, near 14.100 MHz
- D. Below the RTTY segment, near 14.070 MHz

~~

G2E10 (X)

What is a major advantage of MFSK16 compared to other digital modes?

- A. It is much higher speed than RTTY
- B. It is much narrower bandwidth than most digital modes
- C. It has built-in error correction
- D. It offers good performance in weak signal environments without error correction

~~

G2E11 (X)

What does the abbreviation "MFSK" stand for?

- A. Manual Frequency Shift Keying
- B. Multi (or Multiple) Frequency Shift Keying
- C. Manual Frequency Sideband Keying
- D. Multi (or Multiple) Frequency Sideband Keying

~~

G2E12 (X)

How does the receiving station respond to an ARQ data mode packet containing errors?

- A. Terminates the contact
- B. Requests the packet be retransmitted
- C. Sends the packet back to the transmitting station
- D. Requests a change in transmitting protocol

~~

G2E13 (X)

In the PACTOR protocol, what is meant by an NAK response to a transmitted packet?

- A. The receiver is requesting the packet be re-transmitted
- B. The receiver is reporting the packet was received without error
- C. The receiver is busy decoding the packet
- D. The entire file has been received correctly

~~

SUBELEMENT G3 - RADIO WAVE PROPAGATION [3 Exam Questions - 3 Groups]

G3A - Sunspots and solar radiation; ionospheric disturbances; propagation forecasting and indices

G3A01 (X)

What is the sunspot number?

- A. A measure of solar activity based on counting sunspots and sunspot groups
- B. A 3 digit identifier which is used to track individual sunspots
- C. A measure of the radio flux from the Sun measured at 10.7 cm
- D. A measure of the sunspot count based on radio flux measurements

~~

G3A02 (X)

What effect does a Sudden Ionospheric Disturbance have on the daytime ionospheric propagation of HF radio waves?

- A. It enhances propagation on all HF frequencies
- B. It disrupts signals on lower frequencies more than those on higher frequencies
- C. It disrupts communications via satellite more than direct communications
- D. None, because only areas on the night side of the Earth are affected

~~

G3A03 (X)

Approximately how long does it take the increased ultraviolet and X-ray radiation from solar flares to affect radio-wave propagation on the Earth?

- A. 28 days
- B. 1 to 2 hours
- C. 8 minutes
- D. 20 to 40 hours

~~

G3A04 (X)

Which of the following amateur radio HF frequencies are least reliable for long distance communications during periods of low solar activity?

- A. 3.5 MHz and lower
- B. 7 MHz
- C. 10 MHz
- D. 21 MHz and higher

~~

G3A05 (X) [Modified]

What is the solar-flux index?

- A. A measure of the highest frequency that is useful for ionospheric propagation between two points on the Earth
- B. A count of sunspots which is adjusted for solar emissions
- C. Another name for the American sunspot number
- D. A measure of solar radiation at 10.7 cm

~~

G3A06 (X)

What is a geomagnetic storm?

- A. A sudden drop in the solar-flux index
- B. A thunderstorm which affects radio propagation
- C. Ripples in the ionosphere
- D. A temporary disturbance in the Earth's magnetosphere

~~

G3A07 (X)

At what point in the solar cycle does the 20 meter band usually support worldwide propagation during daylight hours?

- A. At the summer solstice
- B. Only at the maximum point of the solar cycle
- C. Only at the minimum point of the solar cycle
- D. At any point in the solar cycle

~~

G3A08 (X)

Which of the following effects can a geomagnetic storm have on radio-wave propagation?

- A. Improved high-latitude HF propagation
- B. Degraded high-latitude HF propagation
- C. Improved ground-wave propagation
- D. Improved chances of UHF ducting

~~

G3A09 (X)

What effect do high sunspot numbers have on radio communications?

- A. High-frequency radio signals become weak and distorted
- B. Frequencies above 300 MHz become usable for long-distance communication
- C. Long-distance communication in the upper HF and lower VHF range is enhanced
- D. Microwave communications become unstable

~~

G3A10 (X)

What causes HF propagation conditions to vary periodically in a 28-day cycle?

- A. Long term oscillations in the upper atmosphere
- B. Cyclic variation in the Earth's radiation belts
- C. The Sun's rotation on its axis
- D. The position of the Moon in its orbit

~~

G3A11 (X)

Approximately how long is the typical sunspot cycle?

- A. 8 minutes
- B. 40 hours
- C. 28 days
- D. 11 years

~~

G3A12 (X)

What does the K-index indicate?

- A. The relative position of sunspots on the surface of the Sun
- B. The short term stability of the Earth's magnetic field
- C. The stability of the Sun's magnetic field
- D. The solar radio flux at Boulder, Colorado

~~

G3A13 (X)

What does the A-index indicate?

- A. The relative position of sunspots on the surface of the Sun
- B. The amount of polarization of the Sun's electric field
- C. The long term stability of the Earth's geomagnetic field
- D. The solar radio flux at Boulder, Colorado

~~

G3A14 (X)

How are radio communications usually affected by the charged particles that reach the Earth from solar coronal holes?

- A. HF communications are improved
- B. HF communications are disturbed
- C. VHF/UHF ducting is improved
- D. VHF/UHF ducting is disturbed

~~

G3A15 (X)

How long does it take charged particles from coronal mass ejections to affect radio-wave propagation on the Earth?

- A. 28 days
- B. 14 days
- C. 4 to 8 minutes
- D. 20 to 40 hours

~~

G3A16 (X)

What is a possible benefit to radio communications resulting from periods of high geomagnetic activity?

- A. Aurora that can reflect VHF signals
- B. Higher signal strength for HF signals passing through the polar regions
- C. Improved HF long path propagation
- D. Reduced long delayed echoes

~~

G3B - Maximum Usable Frequency; Lowest Usable Frequency; propagation

G3B01 (X)

How might a sky-wave signal sound if it arrives at your receiver by both short path and long path propagation?

- A. Periodic fading approximately every 10 seconds
- B. Signal strength increased by 3 dB
- C. The signal might be cancelled causing severe attenuation
- D. A well-defined echo might be heard

~~

G3B02 (X)

Which of the following is a good indicator of the possibility of sky-wave propagation on the 6 meter band?

- A. Short skip sky-wave propagation on the 10 meter band
- B. Long skip sky-wave propagation on the 10 meter band
- C. Severe attenuation of signals on the 10 meter band
- D. Long delayed echoes on the 10 meter band

~~

G3B03 (X)

Which of the following applies when selecting a frequency for lowest attenuation when transmitting on HF?

- A. Select a frequency just below the MUF
- B. Select a frequency just above the LUF
- C. Select a frequency just below the critical frequency
- D. Select a frequency just above the critical frequency

~~

G3B04 (X)

What is a reliable way to determine if the Maximum Usable Frequency (MUF) is high enough to support skip propagation between your station and a distant location on frequencies between 14 and 30 MHz?

- A. Listen for signals from an international beacon
- B. Send a series of dots on the band and listen for echoes from your signal
- C. Check the strength of TV signals from Western Europe
- D. Check the strength of signals in the MF AM broadcast band

~~

G3B05 (X)

What usually happens to radio waves with frequencies below the Maximum Usable Frequency (MUF) and above the Lowest Usable Frequency (LUF) when they are sent into the ionosphere?

- A. They are bent back to the Earth
- B. They pass through the ionosphere
- C. They are amplified by interaction with the ionosphere
- D. They are bent and trapped in the ionosphere to circle the Earth

~~

G3B06 (X)

What usually happens to radio waves with frequencies below the Lowest Usable Frequency (LUF)?

- A. They are bent back to the Earth
- B. They pass through the ionosphere
- C. They are completely absorbed by the ionosphere
- D. They are bent and trapped in the ionosphere to circle the Earth

~~

G3B07 (X)

What does LUF stand for?

- A. The Lowest Usable Frequency for communications between two points
- B. The Longest Universal Function for communications between two points
- C. The Lowest Usable Frequency during a 24 hour period
- D. The Longest Universal Function during a 24 hour period

~~

G3B08 (X)

What does MUF stand for?

- A. The Minimum Usable Frequency for communications between two points
- B. The Maximum Usable Frequency for communications between two points
- C. The Minimum Usable Frequency during a 24 hour period
- D. The Maximum Usable Frequency during a 24 hour period

~~

G3B09 (X)

What is the approximate maximum distance along the Earth's surface that is normally covered in one hop using the F2 region?

- A. 180 miles
- B. 1,200 miles
- C. 2,500 miles
- D. 12,000 miles

~~

G3B10 (X)

What is the approximate maximum distance along the Earth's surface that is normally covered in one hop using the E region?

- A. 180 miles
- B. 1,200 miles
- C. 2,500 miles
- D. 12,000 miles

~~

G3B11 (X)

What happens to HF propagation when the Lowest Usable Frequency (LUF) exceeds the Maximum Usable Frequency (MUF)?

- A. No HF radio frequency will support ordinary skywave communications over the path
- B. HF communications over the path are enhanced
- C. Double hop propagation along the path is more common
- D. Propagation over the path on all HF frequencies is enhanced

~~

G3B12 (X)

What factors affect the Maximum Usable Frequency (MUF)?

- A. Path distance and location
- B. Time of day and season
- C. Solar radiation and ionospheric disturbances
- D. All of these choices are correct

~~

G3C - Ionospheric layers; critical angle and frequency; HF scatter; Near Vertical Incidence Sky waves

G3C01 (X)

Which of the following ionospheric layers is closest to the surface of the Earth?

- A. The D layer
- B. The E layer
- C. The F1 layer
- D. The F2 layer

~~

G3C02 (X)

Where on the Earth do ionospheric layers reach their maximum height?

- A. Where the Sun is overhead
- B. Where the Sun is on the opposite side of the Earth
- C. Where the Sun is rising
- D. Where the Sun has just set

~~

G3C03 (X)

Why is the F2 region mainly responsible for the longest distance radio wave propagation?

- A. Because it is the densest ionospheric layer
- B. Because it does not absorb radio waves as much as other ionospheric regions
- C. Because it is the highest ionospheric region
- D. All of these choices are correct

~~

G3C04 (X)

What does the term "critical angle" mean as used in radio wave propagation?

- A. The long path azimuth of a distant station
- B. The short path azimuth of a distant station
- C. The lowest takeoff angle that will return a radio wave to the Earth under specific ionospheric conditions
- D. The highest takeoff angle that will return a radio wave to the Earth under specific ionospheric conditions

~~

G3C05 (X)

Why is long distance communication on the 40, 60, 80 and 160 meter bands more difficult during the day?

- A. The F layer absorbs signals at these frequencies during daylight hours
- B. The F layer is unstable during daylight hours
- C. The D layer absorbs signals at these frequencies during daylight hours
- D. The E layer is unstable during daylight hours

~~

G3C06 (X)

What is a characteristic of HF scatter signals?

- A. They have high intelligibility
- B. They have a wavering sound
- C. They have very large swings in signal strength
- D. All of these choices are correct

~~

G3C07 (X)

What makes HF scatter signals often sound distorted?

- A. The ionospheric layer involved is unstable
- B. Ground waves are absorbing much of the signal
- C. The E-region is not present
- D. Energy is scattered into the skip zone through several different radio wave paths

~~

G3C08 (X)

Why are HF scatter signals in the skip zone usually weak?

- A. Only a small part of the signal energy is scattered into the skip zone
- B. Signals are scattered from the magnetosphere which is not a good reflector
- C. Propagation is through ground waves which absorb most of the signal energy
- D. Propagation is through ducts in F region which absorb most of the energy

~~

G3C09 (X)

What type of radio wave propagation allows a signal to be detected at a distance too far for ground wave propagation but too near for normal sky-wave propagation?

- A. Faraday rotation
- B. Scatter
- C. Sporadic-E skip
- D. Short-path skip

~~

G3C10 (X)

Which of the following might be an indication that signals heard on the HF bands are being received via scatter propagation?

- A. The communication is during a sunspot maximum
- B. The communication is during a sudden ionospheric disturbance
- C. The signal is heard on a frequency below the Maximum Usable Frequency
- D. The signal is heard on a frequency above the Maximum Usable Frequency

~~

G3C11 (X)

Which of the following antenna types will be most effective for skip communications on 40 meters during the day?

- A. Vertical antennas
- B. Horizontal dipoles placed between 1/8 and 1/4 wavelength above the ground
- C. Left-hand circularly polarized antennas
- D. Right-hand circularly polarized antenna

~~

G3C12 (X)

Which ionospheric layer is the most absorbent of long skip signals during daylight hours on frequencies below 10 MHz?

- A. The F2 layer
- B. The F1 layer
- C. The E layer
- D. The D layer

~~

G3C13 (X)

What is Near Vertical Incidence Sky-wave (NVIS) propagation?

- A. Propagation near the MUF
- B. Short distance HF propagation using high elevation angles
- C. Long path HF propagation at sunrise and sunset
- D. Double hop propagation near the LUF

~~

SUBELEMENT G4 - AMATEUR RADIO PRACTICES [5 Exam Questions - 5 groups]

G4A – Station Operation and set up

G4A01 (X)

What is the purpose of the "notch filter" found on many HF transceivers?

- A. To restrict the transmitter voice bandwidth
- B. To reduce interference from carriers in the receiver passband
- C. To eliminate receiver interference from impulse noise sources
- D. To enhance the reception of a specific frequency on a crowded band

~~

G4A02 (X)

What is one advantage of selecting the opposite or "reverse" sideband when receiving CW signals on a typical HF transceiver?

- A. Interference from impulse noise will be eliminated
- B. More stations can be accommodated within a given signal passband
- C. It may be possible to reduce or eliminate interference from other signals
- D. Accidental out of band operation can be prevented

~~

G4A03 (X)

What is normally meant by operating a transceiver in "split" mode?

- A. The radio is operating at half power
- B. The transceiver is operating from an external power source
- C. The transceiver is set to different transmit and receive frequencies
- D. The transmitter is emitting a SSB signal, as opposed to DSB operation

~~

G4A04 (X)

What reading on the plate current meter of a vacuum tube RF power amplifier indicates correct adjustment of the plate tuning control?

- A. A pronounced peak
- B. A pronounced dip
- C. No change will be observed
- D. A slow, rhythmic oscillation

~~

G4A05 (X)

What is a purpose of using Automatic Level Control (ALC) with a RF power amplifier?

- A. To balance the transmitter audio frequency response
- B. To reduce harmonic radiation
- C. To reduce distortion due to excessive drive
- D. To increase overall efficiency

~~

G4A06 (X)

What type of device is often used to enable matching the transmitter output to an impedance other than 50 ohms?

- A. Balanced modulator
- B. SWR Bridge
- C. Antenna coupler
- D. Q Multiplier

~~

G4A07 (X)

What condition can lead to permanent damage when using a solid-state RF power amplifier?

- A. Exceeding the Maximum Usable Frequency
- B. Low input SWR
- C. Shorting the input signal to ground
- D. Excessive drive power

~~

G4A08 (X)

What is the correct adjustment for the load or coupling control of a vacuum tube RF power amplifier?

- A. Minimum SWR on the antenna
- B. Minimum plate current without exceeding maximum allowable grid current
- C. Highest plate voltage while minimizing grid current
- D. Maximum power output without exceeding maximum allowable plate current

~~

G4A09 (X)

Why is a time delay sometimes included in a transmitter keying circuit?

- A. To prevent stations from talking over each other
- B. To allow the transmitter power regulators to charge properly
- C. To allow time for transmit-receive changeover operations to complete properly before RF output is allowed
- D. To allow time for a warning signal to be sent to other stations

~~

G4A10 (X)

What is the purpose of an electronic keyer?

- A. Automatic transmit/receive switching
- B. Automatic generation of strings of dots and dashes for CW operation
- C. VOX operation
- D. Computer interface for PSK and RTTY operation

~~

G4A11 (X)

Which of the following is a use for the IF shift control on a receiver?

- A. To avoid interference from stations very close to the receive frequency
- B. To change frequency rapidly
- C. To permit listening on a different frequency from that on which you are transmitting
- D. To tune in stations that are slightly off frequency without changing your transmit frequency

~~

G4A12 (X)

Which of the following is a common use for the dual VFO feature on a transceiver?

- A. To allow transmitting on two frequencies at once
- B. To permit full duplex operation, that is transmitting and receiving at the same time
- C. To permit ease of monitoring the transmit and receive frequencies when they are not the same
- D. To facilitate computer interface

~~

G4A13 (X)

What is one reason to use the attenuator function that is present on many HF transceivers?

- A. To reduce signal overload due to strong incoming signals
- B. To reduce the transmitter power when driving a linear amplifier
- C. To reduce power consumption when operating from batteries
- D. To slow down received CW signals for better copy

~~

G4A14 (X)

How should the transceiver audio input be adjusted when transmitting PSK31 data signals?

- A. So that the transceiver is at maximum rated output power
- B. So that the transceiver ALC system does not activate
- C. So that the transceiver operates at no more than 25% of rated power
- D. So that the transceiver ALC indicator shows half scale

~~

G4B - Test and monitoring equipment; two-tone test

G4B01 (X)

What item of test equipment contains horizontal and vertical channel amplifiers?

- A. An ohmmeter
- B. A signal generator
- C. An ammeter
- D. An oscilloscope

~~

G4B02 (X)

Which of the following is an advantage of an oscilloscope versus a digital voltmeter?

- A. An oscilloscope uses less power
- B. Complex impedances can be easily measured
- C. Input impedance is much lower
- D. Complex waveforms can be measured

~~

G4B03 (X)

Which of the following is the best instrument to use when checking the keying waveform of a CW transmitter?

- A. An oscilloscope
- B. A field-strength meter
- C. A sidetone monitor
- D. A wavemeter

~~

G4B04 (X)

What signal source is connected to the vertical input of an oscilloscope when checking the RF envelope pattern of a transmitted signal?

- A. The local oscillator of the transmitter
- B. An external RF oscillator
- C. The transmitter balanced mixer output
- D. The attenuated RF output of the transmitter

~~

G4B05 (X)

Why is high input impedance desirable for a voltmeter?

- A. It improves the frequency response
- B. It decreases battery consumption in the meter
- C. It improves the resolution of the readings
- D. It decreases the loading on circuits being measured

~~

G4B06 (X)

What is an advantage of a digital voltmeter as compared to an analog voltmeter?

- A. Better for measuring computer circuits
- B. Better for RF measurements
- C. Better precision for most uses
- D. Faster response

~~

G4B07 (X)

Which of the following might be a use for a field strength meter?

- A. Close-in radio direction-finding
- B. A modulation monitor for a frequency or phase modulation transmitter
- C. An overmodulation indicator for a SSB transmitter
- D. A keying indicator for a RTTY or packet transmitter

~~

G4B08 (X)

Which of the following instruments may be used to monitor relative RF output when making antenna and transmitter adjustments?

- A. A field-strength meter
- B. An antenna noise bridge
- C. A multimeter
- D. A Q meter

~~

G4B09 (X)

Which of the following can be determined with a field strength meter?

- A. The radiation resistance of an antenna
- B. The radiation pattern of an antenna
- C. The presence and amount of phase distortion of a transmitter
- D. The presence and amount of amplitude distortion of a transmitter

~~

G4B10 (X)

Which of the following can be determined with a directional wattmeter?

- A. Standing wave ratio
- B. Antenna front-to-back ratio
- C. RF interference
- D. Radio wave propagation

~~

G4B11 (X)

Which of the following must be connected to an antenna analyzer when it is being used for SWR measurements?

- A. Receiver
- B. Transmitter
- C. Antenna and feed line
- D. All of these choices are correct

~~

G4B12 (X)

What problem can occur when making measurements on an antenna system with an antenna analyzer?

- A. SWR readings may be incorrect if the antenna is too close to the Earth
- B. Strong signals from nearby transmitters can affect the accuracy of measurements
- C. The analyzer can be damaged if measurements outside the ham bands are attempted
- D. Connecting the analyzer to an antenna can cause it to absorb harmonics

~~

G4B13 (X)

What is a use for an antenna analyzer other than measuring the SWR of an antenna system?

- A. Measuring the front to back ratio of an antenna
- B. Measuring the turns ratio of a power transformer
- C. Determining the impedance of an unknown or unmarked coaxial cable
- D. Determining the gain of a directional antenna

~~

G4B14 (X)

What is an instance in which the use of an instrument with analog readout may be preferred over an instrument with a numerical digital readout?

- A. When testing logic circuits
- B. When high precision is desired
- C. When measuring the frequency of an oscillator
- D. When adjusting tuned circuits

~~

G4B15 (X)

What type of transmitter performance does a two-tone test analyze?

- A. Linearity
- B. Carrier and undesired sideband suppression
- C. Percentage of frequency modulation
- D. Percentage of carrier phase shift

~~

G4B16 (X)

What signals are used to conduct a two-tone test?

- A. Two audio signals of the same frequency shifted 90-degrees
- B. Two non-harmonically related audio signals
- C. Two swept frequency tones
- D. Two audio frequency range square wave signals of equal amplitude

~~

G4C - Interference with consumer electronics; grounding; DSP

G4C01 (X)

Which of the following might be useful in reducing RF interference to audio-frequency devices?

- A. Bypass inductor
- B. Bypass capacitor
- C. Forward-biased diode
- D. Reverse-biased diode

~~

G4C02 (X)

Which of the following could be a cause of interference covering a wide range of frequencies?

- A. Not using a balun or line isolator to feed balanced antennas
- B. Lack of rectification of the transmitter's signal in power conductors
- C. Arcing at a poor electrical connection
- D. The use of horizontal rather than vertical antennas

~~

G4C03 (X)

What sound is heard from an audio device or telephone if there is interference from a nearby single-sideband phone transmitter?

- A. A steady hum whenever the transmitter is on the air
- B. On-and-off humming or clicking
- C. Distorted speech
- D. Clearly audible speech

~~

G4C04 (X)

What is the effect on an audio device or telephone system if there is interference from a nearby CW transmitter?

- A. On-and-off humming or clicking
- B. A CW signal at a nearly pure audio frequency
- C. A chirpy CW signal
- D. Severely distorted audio

~~

G4C05 (X)

What might be the problem if you receive an RF burn when touching your equipment while transmitting on an HF band, assuming the equipment is connected to a ground rod?

- A. Flat braid rather than round wire has been used for the ground wire
- B. Insulated wire has been used for the ground wire
- C. The ground rod is resonant
- D. The ground wire has high impedance on that frequency

~~

G4C06 (X)

What effect can be caused by a resonant ground connection?

- A. Overheating of ground straps
- B. Corrosion of the ground rod
- C. High RF voltages on the enclosures of station equipment
- D. A ground loop

~~

G4C07 (X)

What is one good way to avoid unwanted effects of stray RF energy in an amateur station?

- A. Connect all equipment grounds together
- B. Install an RF filter in series with the ground wire
- C. Use a ground loop for best conductivity
- D. Install a few ferrite beads on the ground wire where it connects to your station

~~

G4C08 (X)

Which of the following would reduce RF interference caused by common-mode current on an audio cable?

- A. Placing a ferrite bead around the cable
- B. Adding series capacitors to the conductors
- C. Adding shunt inductors to the conductors
- D. Adding an additional insulating jacket to the cable

~~

G4C09 (X)

How can a ground loop be avoided?

- A. Connect all ground conductors in series
- B. Connect the AC neutral conductor to the ground wire
- C. Avoid using lock washers and star washers when making ground connections
- D. Connect all ground conductors to a single point

~~

G4C10 (X)

What could be a symptom of a ground loop somewhere in your station?

- A. You receive reports of "hum" on your station's transmitted signal
- B. The SWR reading for one or more antennas is suddenly very high
- C. An item of station equipment starts to draw excessive amounts of current
- D. You receive reports of harmonic interference from your station

~~

G4C11 (X)

Which of the following is one use for a Digital Signal Processor in an amateur station?

- A. To provide adequate grounding
- B. To remove noise from received signals
- C. To increase antenna gain
- D. To increase antenna bandwidth

~~

G4C12 (X)

Which of the following is an advantage of a receiver Digital Signal Processor IF filter as compared to an analog filter?

- A. A wide range of filter bandwidths and shapes can be created
- B. Fewer digital components are required
- C. Mixing products are greatly reduced
- D. The DSP filter is much more effective at VHF frequencies

~~

G4C13 (X)

Which of the following can perform automatic notching of interfering carriers?

- A. Band-pass tuning
- B. A Digital Signal Processor (DSP) filter
- C. Balanced mixing
- D. A noise limiter

~~

G4D - Speech processors; S meters; sideband operation near band edges

G4D01 (X)

What is the purpose of a speech processor as used in a modern transceiver?

- A. Increase the intelligibility of transmitted phone signals during poor conditions
- B. Increase transmitter bass response for more natural sounding SSB signals
- C. Prevent distortion of voice signals
- D. Decrease high-frequency voice output to prevent out of band operation

~~

G4D02 (X)

Which of the following describes how a speech processor affects a transmitted single sideband phone signal?

- A. It increases peak power
- B. It increases average power
- C. It reduces harmonic distortion
- D. It reduces intermodulation distortion

~~

G4D03 (X)

Which of the following can be the result of an incorrectly adjusted speech processor?

- A. Distorted speech
- B. Splatter
- C. Excessive background pickup
- D. All of these choices are correct

~~

G4D04 (X)

What does an S meter measure?

- A. Conductance
- B. Impedance
- C. Received signal strength
- D. Transmitter power output

~~

G4D05 (X)

How does an S meter reading of 20 dB over S-9 compare to an S-9 signal, assuming a properly calibrated S meter?

- A. It is 10 times weaker
- B. It is 20 times weaker
- C. It is 20 times stronger
- D. It is 100 times stronger

~~

G4D06 (X)

Where is an S meter found?

- A. In a receiver
- B. In an SWR bridge
- C. In a transmitter
- D. In a conductance bridge

~~

G4D07 (X)

How much must the power output of a transmitter be raised to change the S-meter reading on a distant receiver from S8 to S9?

- A. Approximately 1.5 times
- B. Approximately 2 times
- C. Approximately 4 times
- D. Approximately 8 times

~~

G4D08 (X)

What frequency range is occupied by a 3 kHz LSB signal when the displayed carrier frequency is set to 7.178 MHz?

- A. 7.178 to 7.181 MHz
- B. 7.178 to 7.184 MHz
- C. 7.175 to 7.178 MHz
- D. 7.1765 to 7.1795 MHz

~~

G4D09 (X)

What frequency range is occupied by a 3 kHz USB signal with the displayed carrier frequency set to 14.347 MHz?

- A. 14.347 to 14.647 MHz
- B. 14.347 to 14.350 MHz
- C. 14.344 to 14.347 MHz
- D. 14.3455 to 14.3485 MHz

~~

G4D10 (X)

How close to the lower edge of the 40 meter General Class phone segment should your displayed carrier frequency be when using 3 kHz wide LSB?

- A. 3 kHz above the edge of the segment
- B. 3 kHz below the edge of the segment
- C. Your displayed carrier frequency may be set at the edge of the segment
- D. Center your signal on the edge of the segment

~~

G4D11 (X)

How close to the upper edge of the 20 meter General Class band should your displayed carrier frequency be when using 3 kHz wide USB?

- A. 3 kHz above the edge of the band
- B. 3 kHz below the edge of the band
- C. Your displayed carrier frequency may be set at the edge of the band
- D. Center your signal on the edge of the band

~~

G4E - HF mobile radio installations; emergency and battery powered operation

G4E01 (X)

What is a "capacitance hat", when referring to a mobile antenna?

- A. A device to increase the power handling capacity of a mobile whip antenna
- B. A device that allows automatic band-changing for a mobile antenna
- C. A device to electrically lengthen a physically short antenna
- D. A device that allows remote tuning of a mobile antenna

~~

G4E02 (X)

What is the purpose of a "corona ball" on a HF mobile antenna?

- A. To narrow the operating bandwidth of the antenna
- B. To increase the "Q" of the antenna
- C. To reduce the chance of damage if the antenna should strike an object
- D. To reduce high voltage discharge from the tip of the antenna

~~

G4E03 (X)

Which of the following direct, fused power connections would be the best for a 100-watt HF mobile installation?

- A. To the battery using heavy gauge wire
- B. To the alternator or generator using heavy gauge wire
- C. To the battery using resistor wire
- D. To the alternator or generator using resistor wire

~~

G4E04 (X)

Why is it best NOT to draw the DC power for a 100-watt HF transceiver from an automobile's auxiliary power socket?

- A. The socket is not wired with an RF-shielded power cable
- B. The socket's wiring may be inadequate for the current being drawn by the transceiver
- C. The DC polarity of the socket is reversed from the polarity of modern HF transceivers
- D. Drawing more than 50 watts from this socket could cause the engine to overheat

~~

G4E05 (X)

Which of the following most limits the effectiveness of an HF mobile transceiver operating in the 75 meter band?

- A. "Picket Fencing" signal variation
- B. The wire gauge of the DC power line to the transceiver
- C. The antenna system
- D. FCC rules limiting mobile output power on the 75 meter band

~~

G4E06 (X)

What is one disadvantage of using a shortened mobile antenna as opposed to a full size antenna?

- A. Short antennas are more likely to cause distortion of transmitted signals
- B. Short antennas can only receive vertically polarized signals
- C. Operating bandwidth may be very limited
- D. Harmonic radiation may increase

~~

G4E07 (X)

Which of the following is the most likely to cause interfering signals to be heard in the receiver of an HF mobile installation in a recent model vehicle?

- A. The battery charging system
- B. The anti-lock braking system
- C. The anti-theft circuitry
- D. The vehicle control computer

~~

G4E08 (X)

What is the name of the process by which sunlight is changed directly into electricity?

- A. Photovoltaic conversion
- B. Photon emission
- C. Photosynthesis
- D. Photon decomposition

~~

G4E09 (X)

What is the approximate open-circuit voltage from a modern, well-illuminated photovoltaic cell?

- A. 0.02 VDC
- B. 0.5 VDC
- C. 0.2 VDC
- D. 1.38 VDC

~~

G4E10 (X)

What is the reason a series diode is connected between a solar panel and a storage battery that is being charged by the panel?

- A. The diode serves to regulate the charging voltage to prevent overcharge
- B. The diode prevents self discharge of the battery though the panel during times of low or no illumination
- C. The diode limits the current flowing from the panel to a safe value
- D. The diode greatly increases the efficiency during times of high illumination

~~

G4E11 (X)

Which of the following is a disadvantage of using wind as the primary source of power for an emergency station?

- A. The conversion efficiency from mechanical energy to electrical energy is less than 2 percent
- B. The voltage and current ratings of such systems are not compatible with amateur equipment
- C. A large energy storage system is needed to supply power when the wind is not blowing
- D. All of these choices are correct

~~

SUBELEMENT G5 – ELECTRICAL PRINCIPLES [3 Exam Questions – 3 Groups]

G5A - Reactance; inductance; capacitance; impedance; impedance matching

G5A01 (X)

What is impedance?

- A. The electric charge stored by a capacitor
- B. The inverse of resistance
- C. The opposition to the flow of current in an AC circuit
- D. The force of repulsion between two similar electric fields

~~

G5A02 (X)

What is reactance?

- A. Opposition to the flow of direct current caused by resistance
- B. Opposition to the flow of alternating current caused by capacitance or inductance
- C. A property of ideal resistors in AC circuits
- D. A large spark produced at switch contacts when an inductor is de-energized

~~

G5A03 (X)

Which of the following causes opposition to the flow of alternating current in an inductor?

- A. Conductance
- B. Reluctance
- C. Admittance
- D. Reactance

~~

G5A04 (X)

Which of the following causes opposition to the flow of alternating current in a capacitor?

- A. Conductance
- B. Reluctance
- C. Reactance
- D. Admittance

~~

G5A05 (X)

How does an inductor react to AC?

- A. As the frequency of the applied AC increases, the reactance decreases
- B. As the amplitude of the applied AC increases, the reactance increases
- C. As the amplitude of the applied AC increases, the reactance decreases
- D. As the frequency of the applied AC increases, the reactance increases

~~

G5A06 (X)

How does a capacitor react to AC?

- A. As the frequency of the applied AC increases, the reactance decreases
- B. As the frequency of the applied AC increases, the reactance increases
- C. As the amplitude of the applied AC increases, the reactance increases
- D. As the amplitude of the applied AC increases, the reactance decreases

~~

G5A07 (X)

What happens when the impedance of an electrical load is equal to the internal impedance of the power source?

- A. The source delivers minimum power to the load
- B. The electrical load is shorted
- C. No current can flow through the circuit
- D. The source can deliver maximum power to the load

~~

G5A08 (X)

Why is impedance matching important?

- A. So the source can deliver maximum power to the load
- B. So the load will draw minimum power from the source
- C. To ensure that there is less resistance than reactance in the circuit
- D. To ensure that the resistance and reactance in the circuit are equal

~~

G5A09 (X)

What unit is used to measure reactance?

- A. Farad
- B. Ohm
- C. Ampere
- D. Siemens

~~

G5A10 (X)

What unit is used to measure impedance?

- A. Volt
- B. Ohm
- C. Ampere
- D. Watt

~~

G5A11 (X)

Which of the following describes one method of impedance matching between two AC circuits?

- A. Insert an LC network between the two circuits
- B. Reduce the power output of the first circuit
- C. Increase the power output of the first circuit
- D. Insert a circulator between the two circuits

~~

G5A12 (X)

What is one reason to use an impedance matching transformer?

- A. To minimize transmitter power output
- B. To maximize the transfer of power
- C. To reduce power supply ripple
- D. To minimize radiation resistance

G5A13 (X)

Which of the following devices can be used for impedance matching at radio frequencies?

- A. A transformer
- B. A Pi-network
- C. A length of transmission line
- D. All of these choices are correct

~~

G5B - The Decibel; current and voltage dividers; electrical power calculations; sine wave root-mean-square (RMS) values; PEP calculations

G5B01 (X)

A two-times increase or decrease in power results in a change of how many dB?

- A. Approximately 2 dB
- B. Approximately 3 dB
- C. Approximately 6 dB
- D. Approximately 12 dB

~~

G5B02 (X)

How does the total current relate to the individual currents in each branch of a parallel circuit?

- A. It equals the average of each branch current
- B. It decreases as more parallel branches are added to the circuit
- C. It equals the sum of the currents through each branch
- D. It is the sum of the reciprocal of each individual voltage drop

~~

G5B03 (X)

How many watts of electrical power are used if 400 VDC is supplied to an 800-ohm load?

- A. 0.5 watts
- B. 200 watts
- C. 400 watts
- D. 3200 watts

~~

G5B04 (X)

How many watts of electrical power are used by a 12-VDC light bulb that draws 0.2 amperes?

- A. 2.4 watts
- B. 24 watts
- C. 6 watts
- D. 60 watts

~~

G5B05 (X)

How many watts are dissipated when a current of 7.0 milliamperes flows through 1.25 kilohms?

- A. Approximately 61 milliwatts
- B. Approximately 61 watts
- C. Approximately 11 milliwatts
- D. Approximately 11 watts

~~

G5B06 (X)

What is the output PEP from a transmitter if an oscilloscope measures 200 volts peak-to-peak across a 50-ohm dummy load connected to the transmitter output?

- A. 1.4 watts
- B. 100 watts
- C. 353.5 watts
- D. 400 watts

~~

G5B07 (X)

Which value of an AC signal results in the same power dissipation as a DC voltage of the same value?

- A. The peak-to-peak value
- B. The peak value
- C. The RMS value
- D. The reciprocal of the RMS value

~~

G5B08 (X)

What is the peak-to-peak voltage of a sine wave that has an RMS voltage of 120 volts?

- A. 84.8 volts
- B. 169.7 volts
- C. 240.0 volts
- D. 339.4 volts

~~

G5B09 (X)

What is the RMS voltage of a sine wave with a value of 17 volts peak?

- A. 8.5 volts
- B. 12 volts
- C. 24 volts
- D. 34 volts

~~

G5B10 (X)

What percentage of power loss would result from a transmission line loss of 1 dB?

- A. 10.9%
- B. 12.2%
- C. 20.5%
- D. 25.9%

~~

G5B11 (X)

What is the ratio of peak envelope power to average power for an unmodulated carrier?

- A. .707
- B. 1.00
- C. 1.414
- D. 2.00

~~

G5B12 (X)

What would be the RMS voltage across a 50-ohm dummy load dissipating 1200 watts?

- A. 173 volts
- B. 245 volts
- C. 346 volts
- D. 692 volts

~~

G5B13 (X)

What is the output PEP of an unmodulated carrier if an average reading wattmeter connected to the transmitter output indicates 1060 watts?

- A. 530 watts
- B. 1060 watts
- C. 1500 watts
- D. 2120 watts

~~

G5B14 (X)

What is the output PEP from a transmitter if an oscilloscope measures 500 volts peak-to-peak across a 50-ohm resistor connected to the transmitter output?

- A. 8.75 watts
- B. 625 watts
- C. 2500 watts
- D. 5000 watts

~~

G5C – Resistors, capacitors, and inductors in series and parallel; transformers

G5C01 (X)

What causes a voltage to appear across the secondary winding of a transformer when an AC voltage source is connected across its primary winding?

- A. Capacitive coupling
- B. Displacement current coupling
- C. Mutual inductance
- D. Mutual capacitance

~~

G5C02 (X)

Which part of a transformer is normally connected to the incoming source of energy?

- A. The secondary
- B. The primary
- C. The core
- D. The plates

~~

G5C03 (X)

Which of the following components should be added to an existing resistor to increase the resistance?

- A. A resistor in parallel
- B. A resistor in series
- C. A capacitor in series
- D. A capacitor in parallel

~~

G5C04 (X)

What is the total resistance of three 100-ohm resistors in parallel?

- A. .30 ohms
- B. .33 ohms
- C. 33.3 ohms
- D. 300 ohms

~~

G5C05 (X)

If three equal value resistors in parallel produce 50 ohms of resistance, and the same three resistors in series produce 450 ohms, what is the value of each resistor?

- A. 1500 ohms
- B. 90 ohms
- C. 150 ohms
- D. 175 ohms

~~

G5C06 (X)

What is the RMS voltage across a 500-turn secondary winding in a transformer if the 2250-turn primary is connected to 120 VAC?

- A. 2370 volts
- B. 540 volts
- C. 26.7 volts
- D. 5.9 volts

~~

G5C07 (X)

What is the turns ratio of a transformer used to match an audio amplifier having a 600-ohm output impedance to a speaker having a 4-ohm impedance?

- A. 12.2 to 1
- B. 24.4 to 1
- C. 150 to 1
- D. 300 to 1

~~

G5C08 (X)

What is the equivalent capacitance of two 5000 picofarad capacitors and one 750 picofarad capacitor connected in parallel?

- A. 576.9 picofarads
- B. 1733 picofarads
- C. 3583 picofarads
- D. 10750 picofarads

~~

G5C09 (X)

What is the capacitance of three 100 microfarad capacitors connected in series?

- A. .30 microfarads
- B. .33 microfarads
- C. 33.3 microfarads
- D. 300 microfarads

~~

G5C10 (X)

What is the inductance of three 10 millihenry inductors connected in parallel?

- A. .30 Henrys
- B. 3.3 Henrys
- C. 3.3 millihenrys
- D. 30 millihenrys

~~

G5C11 (X)

What is the inductance of a 20 millihenry inductor in series with a 50 millihenry inductor?

- A. .07 millihenrys
- B. 14.3 millihenrys
- C. 70 millihenrys
- D. 1000 millihenrys

~~

G5C12 (X)

What is the capacitance of a 20 microfarad capacitor in series with a 50 microfarad capacitor?

- A. .07 microfarads
- B. 14.3 microfarads
- C. 70 microfarads
- D. 1000 microfarads

~~

G5C13 (X)

Which of the following components should be added to a capacitor to increase the capacitance?

- A. An inductor in series
- B. A resistor in series
- C. A capacitor in parallel
- D. A capacitor in series

~~

G5C14 (X)

Which of the following components should be added to an inductor to increase the inductance?

- A. A capacitor in series
- B. A resistor in parallel
- C. An inductor in parallel
- D. An inductor in series

~~

G5C15 (X)

What is the total resistance of a 10 ohm, a 20 ohm, and a 50 ohm resistor in parallel?

- A. 5.9 ohms
- B. 0.17 ohms
- C. 10000 ohms
- D. 80 ohms

~~

SUBELEMENT G6 – CIRCUIT COMPONENTS [3 Exam Questions – 3 Groups]

G6A - Resistors; capacitors; inductors

G6A01 (X)

Which of the following is an important characteristic for capacitors used to filter the DC output of a switching power supply?

- A. Low equivalent series resistance
- B. High equivalent series resistance
- C. Low Temperature coefficient
- D. High Temperature coefficient

~~

G6A02 (X)

Which of the following types of capacitors are often used in power supply circuits to filter the rectified AC?

- A. Disc ceramic
- B. Vacuum variable
- C. Mica
- D. Electrolytic

~~

G6A03 (X)

Which of the following is an advantage of ceramic capacitors as compared to other types of capacitors?

- A. Tight tolerance
- B. High stability
- C. High capacitance for given volume
- D. Comparatively low cost

~~

G6A04 (X)

Which of the following is an advantage of an electrolytic capacitor?

- A. Tight tolerance
- B. Non-polarized
- C. High capacitance for given volume
- D. Inexpensive RF capacitor

~~

G6A05 (X)

Which of the following is one effect of lead inductance in a capacitor used at VHF and above?

- A. Effective capacitance may be reduced
- B. Voltage rating may be reduced
- C. ESR may be reduced
- D. The polarity of the capacitor might become reversed

~~

G6A06 (X)

What will happen to the resistance if the temperature of a resistor is increased?

- A. It will change depending on the resistor's reactance coefficient
- B. It will stay the same
- C. It will change depending on the resistor's temperature coefficient
- D. It will become time dependent

~~

G6A07 (X)

Which of the following is a reason not to use wire-wound resistors in an RF circuit?

- A. The resistor's tolerance value would not be adequate for such a circuit
- B. The resistor's inductance could make circuit performance unpredictable
- C. The resistor could overheat
- D. The resistor's internal capacitance would detune the circuit

~~

G6A08 (X)

Which of the following describes a thermistor?

- A. A resistor that is resistant to changes in value with temperature variations
- B. A device having a specific change in resistance with temperature variations
- C. A special type of transistor for use at very cold temperatures
- D. A capacitor that changes value with temperature

~~

G6A09 (X)

What is an advantage of using a ferrite core toroidal inductor?

- A. Large values of inductance may be obtained
- B. The magnetic properties of the core may be optimized for a specific range of frequencies
- C. Most of the magnetic field is contained in the core
- D. All of these choices are correct

~~

G6A10 (X)

How should the winding axes of solenoid inductors be placed to minimize their mutual inductance?

- A. In line
- B. Parallel to each other
- C. At right angles
- D. Interleaved

~~

G6A11 (X)

Why would it be important to minimize the mutual inductance between two inductors?

- A. To increase the energy transfer between circuits
- B. To reduce unwanted coupling between circuits
- C. To reduce conducted emissions
- D. To increase the self-resonant frequency of the inductors

~~

G6A12 (X)

What is a common name for an inductor used to help smooth the DC output from the rectifier in a conventional power supply?

- A. Back EMF choke
- B. Repulsion coil
- C. Charging inductor
- D. Filter choke

~~

G6A13 (X)

What is an effect of inter-turn capacitance in an inductor?

- A. The magnetic field may become inverted
- B. The inductor may become self resonant at some frequencies
- C. The permeability will increase
- D. The voltage rating may be exceeded

~~

G6B - Rectifiers; solid state diodes and transistors; vacuum tubes; batteries

G6B01 (X)

What is the peak-inverse-voltage rating of a rectifier?

- A. The maximum voltage the rectifier will handle in the conducting direction
- B. 1.4 times the AC frequency
- C. The maximum voltage the rectifier will handle in the non-conducting direction
- D. 2.8 times the AC frequency

~~

G6B02 (X)

What are two major ratings that must not be exceeded for silicon diode rectifiers?

- A. Peak inverse voltage; average forward current
- B. Average power; average voltage
- C. Capacitive reactance; avalanche voltage
- D. Peak load impedance; peak voltage

~~

G6B03 (X)

What is the approximate junction threshold voltage of a germanium diode?

- A. 0.1 volt
- B. 0.3 volts
- C. 0.7 volts
- D. 1.0 volts

~~

G6B04 (X)

When two or more diodes are connected in parallel to increase current handling capacity, what is the purpose of the resistor connected in series with each diode?

- A. To ensure the thermal stability of the power supply
- B. To regulate the power supply output voltage
- C. To ensure that one diode doesn't carry most of the current
- D. To act as an inductor

~~

G6B05 (X)

What is the approximate junction threshold voltage of a conventional silicon diode?

- A. 0.1 volt
- B. 0.3 volts
- C. 0.7 volts
- D. 1.0 volts

~~

G6B06 (X)

Which of the following is an advantage of using a Schottky diode in an RF switching circuit as compared to a standard silicon diode?

- A. Lower capacitance
- B. Lower inductance
- C. Longer switching times
- D. Higher breakdown voltage

~~

G6B07 (X)

What are the stable operating points for a bipolar transistor used as a switch in a logic circuit?

- A. Its saturation and cut-off regions
- B. Its active region (between the cut-off and saturation regions)
- C. Its peak and valley current points
- D. Its enhancement and depletion modes

~~

G6B08 (X)

Why must the cases of some large power transistors be insulated from ground?

- A. To increase the beta of the transistor
- B. To improve the power dissipation capability
- C. To reduce stray capacitance
- D. To avoid shorting the collector or drain voltage to ground

~~

G6B09 (X)

Which of the following describes the construction of a MOSFET?

- A. The gate is formed by a back-biased junction
- B. The gate is separated from the channel with a thin insulating layer
- C. The source is separated from the drain by a thin insulating layer
- D. The source is formed by depositing metal on silicon

~~

G6B10 (X)

Which element of a triode vacuum tube is used to regulate the flow of electrons between cathode and plate?

- A. Control grid
- B. Heater
- C. Screen Grid
- D. Trigger electrode

~~

G6B11 (X)

Which of the following solid state devices is most like a vacuum tube in its general operating characteristics?

- A. A bipolar transistor
- B. A Field Effect Transistor
- C. A tunnel diode
- D. A varistor

~~

G6B12 (X)

What is the primary purpose of a screen grid in a vacuum tube?

- A. To reduce grid-to-plate capacitance
- B. To increase efficiency
- C. To increase the control grid resistance
- D. To decrease plate resistance

~~

G6B13 (X)

What is an advantage of the low internal resistance of nickel-cadmium batteries?

- A. Long life
- B. High discharge current
- C. High voltage
- D. Rapid recharge

~~

G6B14 (X)

What is the minimum allowable discharge voltage for maximum life of a standard 12 volt lead acid battery?

- A. 6 volts
- B. 8.5 volts
- C. 10.5 volts
- D. 12 volts

~~

G6B15 (X)

When is it acceptable to recharge a carbon-zinc primary cell?

- A. As long as the voltage has not been allowed to drop below 1.0 volt
- B. When the cell is kept warm during the recharging period
- C. When a constant current charger is used
- D. Never

~~

G6C - Analog and digital integrated circuits (IC's); microprocessors; memory; I/O devices; microwave IC's (MMIC's); display devices

G6C01 (X)

Which of the following is an analog integrated circuit?

- A. NAND Gate
- B. Microprocessor
- C. Frequency Counter
- D. Linear voltage regulator

~~

G6C02 (X)

What is meant by the term MMIC?

- A. Multi Megabyte Integrated Circuit
- B. Monolithic Microwave Integrated Circuit
- C. Military-specification Manufactured Integrated Circuit
- D. Mode Modulated Integrated Circuit

~~

G6C03 (X)

Which of the following is an advantage of CMOS integrated circuits compared to TTL integrated circuits?

- A. Low power consumption
- B. High power handling capability
- C. Better suited for RF amplification
- D. Better suited for power supply regulation

~~

G6C04 (X)

What is meant by the term ROM?

- A. Resistor Operated Memory
- B. Read Only Memory
- C. Random Operational Memory
- D. Resistant to Overload Memory

~~

G6C05 (X)

What is meant when memory is characterized as "non-volatile"?

- A. It is resistant to radiation damage
- B. It is resistant to high temperatures
- C. The stored information is maintained even if power is removed
- D. The stored information cannot be changed once written

~~

G6C06 (X)

Which of the following describes an integrated circuit operational amplifier?

- A. Digital
- B. MMIC
- C. Programmable Logic
- D. Analog

~~

G6C07 (X)

What is one disadvantage of an incandescent indicator compared to an LED?

- A. Low power consumption
- B. High speed
- C. Long life
- D. High power consumption

~~

G6C08 (X)

How is an LED biased when emitting light?

- A. Beyond cutoff
- B. At the Zener voltage
- C. Reverse Biased
- D. Forward Biased

~~

G6C09 (X)

Which of the following is a characteristic of a liquid crystal display?

- A. It requires ambient or back lighting
- B. It offers a wide dynamic range
- C. It has a wide viewing angle
- D. All of these choices are correct

~~

G6C10 (X)

What two devices in an Amateur Radio station might be connected using a USB interface?

- A. Computer and transceiver
- B. Microphone and transceiver
- C. Amplifier and antenna
- D. Power supply and amplifier

~~

G6C11 (X)

What is a microprocessor?

- A. A low power analog signal processor used as a microwave detector
- B. A computer on a single integrated circuit
- C. A microwave detector, amplifier, and local oscillator on a single integrated circuit
- D. A low voltage amplifier used in a microwave transmitter modulator stage

~~

G6C12 (X)

Which of the following connectors would be a good choice for a serial data port?

- A. PL-259
- B. Type N
- C. Type SMA
- D. DE-9

~~

G6C13 (X)

Which of these connector types is commonly used for RF service at frequencies up to 150 MHz?

- A. Octal
- B. RJ-11
- C. PL-259
- D. DB-25

~~

G6C14 (X)

Which of these connector types is commonly used for audio signals in Amateur Radio stations?

- A. PL-259
- B. BNC
- C. RCA Phono
- D. Type N

~~

G6C15 (X)

What is the main reason to use keyed connectors instead of non-keyed types?

- A. Prevention of use by unauthorized persons
- B. Reduced chance of incorrect mating
- C. Higher current carrying capacity
- D. All of these choices are correct

~~

G6C16 (X)

Which of the following describes a type-N connector?

- A. A moisture-resistant RF connector useful to 10 GHz
- B. A small bayonet connector used for data circuits
- C. A threaded connector used for hydraulic systems
- D. An audio connector used in surround-sound installations

~~

G6C17 (X)

What is the general description of a DIN type connector?

- A. A special connector for microwave interfacing
- B. A DC power connector rated for currents between 30 and 50 amperes
- C. A family of multiple circuit connectors suitable for audio and control signals
- D. A special watertight connector for use in marine applications

~~

G6C18 (X)

What is a type SMA connector?

- A. A large bayonet-type connector usable at power levels in excess of 1 KW
- B. A small threaded connector suitable for signals up to several GHz
- C. A connector designed for serial multiple access signals
- D. A type of push-on connector intended for high-voltage applications

~~

G7 – PRACTICAL CIRCUITS [3 Exam Questions – 3 Groups]

G7A Power supplies; and schematic symbols

G7A01 (X)

What safety feature does a power-supply bleeder resistor provide?

- A. It acts as a fuse for excess voltage
- B. It discharges the filter capacitors
- C. It removes shock hazards from the induction coils
- D. It eliminates ground-loop current

~~

G7A02 (X)

Which of the following components are used in a power-supply filter network?

- A. Diodes
- B. Transformers and transducers
- C. Quartz crystals
- D. Capacitors and inductors

~~

G7A03 (X)

What is the peak-inverse-voltage across the rectifiers in a full-wave bridge power supply?

- A. One-quarter the normal output voltage of the power supply
- B. Half the normal output voltage of the power supply
- C. Double the normal peak output voltage of the power supply
- D. Equal to the normal peak output voltage of the power supply

~~

G7A04 (X)

What is the peak-inverse-voltage across the rectifier in a half-wave power supply?

- A. One-half the normal peak output voltage of the power supply
- B. One-half the normal output voltage of the power supply
- C. Equal to the normal output voltage of the power supply
- D. Two times the normal peak output voltage of the power supply

~~

G7A05 (X)

What portion of the AC cycle is converted to DC by a half-wave rectifier?

- A. 90 degrees
- B. 180 degrees
- C. 270 degrees
- D. 360 degrees

~~

G7A06 (X)

What portion of the AC cycle is converted to DC by a full-wave rectifier?

- A. 90 degrees
- B. 180 degrees
- C. 270 degrees
- D. 360 degrees

~~

G7A07 (X)

What is the output waveform of an unfiltered full-wave rectifier connected to a resistive load?

- A. A series of DC pulses at twice the frequency of the AC input
- B. A series of DC pulses at the same frequency as the AC input
- C. A sine wave at half the frequency of the AC input
- D. A steady DC voltage

~~

G7A08(C)

Which of the following is an advantage of a switch-mode power supply as compared to a linear power supply?

- A. Faster switching time makes higher output voltage possible
- B. Fewer circuit components are required
- C. High frequency operation allows the use of smaller components
- D. All of these choices are correct

~~

G7A09 (X)

Which symbol in figure G7-1 represents a field effect transistor?

- A. Symbol 2
- B. Symbol 5
- C. Symbol 1
- D. Symbol 4

~~

G7A10 (X)

Which symbol in figure G7-1 represents a Zener diode?

- A. Symbol 4
- B. Symbol 1
- C. Symbol 11
- D. Symbol 5

~~

G7A11 (X)

Which symbol in figure G7-1 represents an NPN junction transistor?

- A. Symbol 1
- B. Symbol 2
- C. Symbol 7
- D. Symbol 11

~~

G7A12 (X)

Which symbol in Figure G7-1 represents a multiple-winding transformer?

- A. Symbol 4
- B. Symbol 7
- C. Symbol 6
- D. Symbol 1

~~

G7A13 (X)

Which symbol in Figure G7-1 represents a tapped inductor?

- A. Symbol 7
- B. Symbol 11
- C. Symbol 6
- D. Symbol 1

~~

G7B - Digital circuits; amplifiers and oscillators

G7B01 (X)

Complex digital circuitry can often be replaced by what type of integrated circuit?

- A. Microcontroller
- B. Charge-coupled device
- C. Phase detector
- D. Window comparator

~~

G7B02 (X)

Which of the following is an advantage of using the binary system when processing digital signals?

- A. Binary "ones" and "zeros" are easy to represent with an "on" or "off" state
- B. The binary number system is most accurate
- C. Binary numbers are more compatible with analog circuitry
- D. All of these choices are correct

~~

G7B03 (X)

Which of the following describes the function of a two input AND gate?

- A. Output is high when either or both inputs are low
- B. Output is high only when both inputs are high
- C. Output is low when either or both inputs are high
- D. Output is low only when both inputs are high

~~

G7B04 (X)

Which of the following describes the function of a two input NOR gate?

- A. Output is high when either or both inputs are low
- B. Output is high only when both inputs are high
- C. Output is low when either or both inputs are high
- D. Output is low only when both inputs are high

~~

G7B05 (X)

How many states does a 3-bit binary counter have?

- A. 3
- B. 6
- C. 8
- D. 16

~~

G7B06 (X)

What is a shift register?

- A. A clocked array of circuits that passes data in steps along the array
- B. An array of operational amplifiers used for tri state arithmetic operations
- C. A digital mixer
- D. An analog mixer

~~

G7B07 (X)

What are the basic components of virtually all sine wave oscillators?

- A. An amplifier and a divider
- B. A frequency multiplier and a mixer
- C. A circulator and a filter operating in a feed-forward loop
- D. A filter and an amplifier operating in a feedback loop

~~

G7B08 (X)

How is the efficiency of an RF power amplifier determined?

- A. Divide the DC input power by the DC output power
- B. Divide the RF output power by the DC input power
- C. Multiply the RF input power by the reciprocal of the RF output power
- D. Add the RF input power to the DC output power

~~

G7B09 (X)

What determines the frequency of an LC oscillator?

- A. The number of stages in the counter
- B. The number of stages in the divider
- C. The inductance and capacitance in the tank circuit
- D. The time delay of the lag circuit

~~

G7B10 (X)

Which of the following is a characteristic of a Class A amplifier?

- A. Low standby power
- B. High Efficiency
- C. No need for bias
- D. Low distortion

~~

G7B11 (X)

For which of the following modes is a Class C power stage appropriate for amplifying a modulated signal?

- A. SSB
- B. CW
- C. AM
- D. All of these choices are correct

~~

G7B12 (X)

Which of these classes of amplifiers has the highest efficiency?

- A. Class A
- B. Class B
- C. Class AB
- D. Class C

~~

G7B13 (X)

What is the reason for neutralizing the final amplifier stage of a transmitter?

- A. To limit the modulation index
- B. To eliminate self-oscillations
- C. To cut off the final amplifier during standby periods
- D. To keep the carrier on frequency

~~

G7B14 (X)

Which of the following describes a linear amplifier?

- A. Any RF power amplifier used in conjunction with an amateur transceiver
- B. An amplifier in which the output preserves the input waveform
- C. A Class C high efficiency amplifier
- D. An amplifier used as a frequency multiplier

~~

G7C - Receivers and transmitters; filters, oscillators

G7C01 (X)

Which of the following is used to process signals from the balanced modulator and send them to the mixer in a single-sideband phone transmitter?

- A. Carrier oscillator
- B. Filter
- C. IF amplifier
- D. RF amplifier

~~

G7C02 (X)

Which circuit is used to combine signals from the carrier oscillator and speech amplifier and send the result to the filter in a typical single-sideband phone transmitter?

- A. Discriminator
- B. Detector
- C. IF amplifier
- D. Balanced modulator

~~

G7C03 (X)

What circuit is used to process signals from the RF amplifier and local oscillator and send the result to the IF filter in a superheterodyne receiver?

- A. Balanced modulator
- B. IF amplifier
- C. Mixer
- D. Detector

~~

G7C04 (X)

What circuit is used to combine signals from the IF amplifier and BFO and send the result to the AF amplifier in a single-sideband receiver?

- A. RF oscillator
- B. IF filter
- C. Balanced modulator
- D. Product detector

~~

G7C05 (X)

Which of the following is an advantage of a transceiver controlled by a direct digital synthesizer (DDS)?

- A. Wide tuning range and no need for band switching
- B. Relatively high power output
- C. Relatively low power consumption
- D. Variable frequency with the stability of a crystal oscillator

~~

G7C06 (X)

What should be the impedance of a low-pass filter as compared to the impedance of the transmission line into which it is inserted?

- A. Substantially higher
- B. About the same
- C. Substantially lower
- D. Twice the transmission line impedance

~~

G7C07 (X)

What is the simplest combination of stages that implement a superheterodyne receiver?

- A. RF amplifier, detector, audio amplifier
- B. RF amplifier, mixer, IF discriminator
- C. HF oscillator, mixer, detector
- D. HF oscillator, pre-scaler, audio amplifier

~~

G7C08 (X)

What type of circuit is used in many FM receivers to convert signals coming from the IF amplifier to audio?

- A. Product detector
- B. Phase inverter
- C. Mixer
- D. Discriminator

~~

G7C09 (X)

Which of the following is needed for a Digital Signal Processor IF filter?

- A. An analog to digital converter
- B. A digital to analog converter
- C. A digital processor chip
- D. All of the these choices are correct

~~

G7C10 (X)

How is Digital Signal Processor filtering accomplished?

- A. By using direct signal phasing
- B. By converting the signal from analog to digital and using digital processing
- C. By differential spurious phasing
- D. By converting the signal from digital to analog and taking the difference of mixing products

~~

G7C11 (X)

What is meant by the term "software defined radio" (SDR)?

- A. A radio in which most major signal processing functions are performed by software
- B. A radio which provides computer interface for automatic logging of band and frequency
- C. A radio which uses crystal filters designed using software
- D. A computer model which can simulate performance of a radio to aid in the design process

~~

SUBELEMENT G8 – SIGNALS AND EMISSIONS [2 Exam Questions – 2 Groups]

G8A - Carriers and modulation: AM; FM; single and double sideband; modulation envelope; overmodulation

G8A01 (X)

What is the name of the process that changes the envelope of an RF wave to carry information?

- A. Phase modulation
- B. Frequency modulation
- C. Spread spectrum modulation
- D. Amplitude modulation

~~

G8A02 (X)

What is the name of the process that changes the phase angle of an RF wave to convey information?

- A. Phase convolution
- B. Phase modulation
- C. Angle convolution
- D. Radian inversion

~~

G8A03 (X)

What is the name of the process which changes the frequency of an RF wave to convey information?

- A. Frequency convolution
- B. Frequency transformation
- C. Frequency conversion
- D. Frequency modulation

~~

G8A04 (X)

What emission is produced by a reactance modulator connected to an RF power amplifier?

- A. Multiplex modulation
- B. Phase modulation
- C. Amplitude modulation
- D. Pulse modulation

~~

G8A05 (X)

What type of modulation varies the instantaneous power level of the RF signal?

- A. Frequency shift keying
- B. Pulse position modulation
- C. Frequency modulation
- D. Amplitude modulation

~~

G8A06 (X)

What is one advantage of carrier suppression in a single-sideband phone transmission?

- A. Audio fidelity is improved
- B. Greater modulation percentage is obtainable with lower distortion
- C. The available transmitter power can be used more effectively
- D. Simpler receiving equipment can be used

~~

G8A07 (X)

Which of the following phone emissions uses the narrowest frequency bandwidth?

- A. Single sideband
- B. Double sideband
- C. Phase modulation
- D. Frequency modulation

~~

G8A08 (X)

Which of the following is an effect of over-modulation?

- A. Insufficient audio
- B. Insufficient bandwidth
- C. Frequency drift
- D. Excessive bandwidth

~~

G8A09 (X)

What control is typically adjusted for proper ALC setting on an amateur single sideband transceiver?

- A. The RF clipping level
- B. Transmit audio or microphone gain
- C. Antenna inductance or capacitance
- D. Attenuator level

~~

G8A10 (X)

What is meant by flat-topping of a single-sideband phone transmission?

- A. Signal distortion caused by insufficient collector current
- B. The transmitter's automatic level control is properly adjusted
- C. Signal distortion caused by excessive drive
- D. The transmitter's carrier is properly suppressed

~~

G8A11 (X)

What happens to the RF carrier signal when a modulating audio signal is applied to an FM transmitter?

- A. The carrier frequency changes proportionally to the instantaneous amplitude of the modulating signal
- B. The carrier frequency changes proportionally to the amplitude and frequency of the modulating signal
- C. The carrier amplitude changes proportionally to the instantaneous frequency of the modulating signal
- D. The carrier phase changes proportionally to the instantaneous amplitude of the modulating signal

~~

G8A12 (X)

What signal(s) would be found at the output of a properly adjusted balanced modulator?

- A. Both upper and lower sidebands
- B. Either upper or lower sideband, but not both
- C. Both upper and lower sidebands and the carrier
- D. The modulating signal and the unmodulated carrier

~~

G8B - Frequency mixing; multiplication; HF data communications; bandwidths of various modes; deviation

G8B01 (X)

What receiver stage combines a 14.250 MHz input signal with a 13.795 MHz oscillator signal to produce a 455 kHz intermediate frequency (IF) signal?

- A. Mixer
- B. BFO
- C. VFO
- D. Discriminator

~~

G8B02 (X)

If a receiver mixes a 13.800 MHz VFO with a 14.255 MHz received signal to produce a 455 kHz intermediate frequency (IF) signal, what type of interference will a 13.345 MHz signal produce in the receiver?

- A. Quadrature noise
- B. Image response
- C. Mixer interference
- D. Intermediate interference

~~

G8B03 (X)

What is another term for the mixing of two RF signals?

- A. Heterodyning
- B. Synthesizing
- C. Cancellation
- D. Phase inverting

~~

G8B04 (X)

What is the name of the stage in a VHF FM transmitter that generates a harmonic of a lower frequency signal to reach the desired operating frequency?

- A. Mixer
- B. Reactance modulator
- C. Pre-emphasis network
- D. Multiplier

~~

G8B05 (X)

Why isn't frequency modulated (FM) phone used below 29.5 MHz?

- A. The transmitter efficiency for this mode is low
- B. Harmonics could not be attenuated to practical levels
- C. The wide bandwidth is prohibited by FCC rules
- D. The frequency stability would not be adequate

~~

G8B06 (X)

What is the total bandwidth of an FM-phone transmission having a 5 kHz deviation and a 3 kHz modulating frequency?

- A. 3 kHz
- B. 5 kHz
- C. 8 kHz
- D. 16 kHz

~~

G8B07 (X)

What is the frequency deviation for a 12.21-MHz reactance-modulated oscillator in a 5-kHz deviation, 146.52-MHz FM-phone transmitter?

- A. 101.75 Hz
- B. 416.7 Hz
- C. 5 kHz
- D. 60 kHz

~~

G8B08 (X)

Why is it important to know the duty cycle of the data mode you are using when transmitting?

- A. To aid in tuning your transmitter
- B. Some modes have high duty cycles which could exceed the transmitter's average power rating.
- C. To allow time for the other station to break in during a transmission
- D. All of these choices are correct

~~

G8B09 (X)

Why is it good to match receiver bandwidth to the bandwidth of the operating mode?

- A. It is required by FCC rules
- B. It minimizes power consumption in the receiver
- C. It improves impedance matching of the antenna
- D. It results in the best signal to noise ratio

~~

G8B10 (X)

What does the number 31 represent in PSK31?

- A. The approximate transmitted symbol rate
- B. The version of the PSK protocol
- C. The year in which PSK31 was invented
- D. The number of characters that can be represented by PSK31

~~

G8B11 (X)

How does forward error correction allow the receiver to correct errors in received data packets?

- A. By controlling transmitter output power for optimum signal strength
- B. By using the varicode character set
- C. By transmitting redundant information with the data
- D. By using a parity bit with each character

~~

G8B12 (X)

What is the relationship between transmitted symbol rate and bandwidth?

- A. Symbol rate and bandwidth are not related
- B. Higher symbol rates require higher bandwidth
- C. Lower symbol rates require higher bandwidth
- D. Bandwidth is constant for data mode signals

~~

SUBELEMENT G9 – ANTENNAS AND FEED LINES [4 Exam Questions – 4 Groups]

G9A - Antenna feed lines: characteristic impedance, and attenuation; SWR calculation, measurement and effects; matching networks

G9A01 (X)

Which of the following factors determine the characteristic impedance of a parallel conductor antenna feed line?

- A. The distance between the centers of the conductors and the radius of the conductors
- B. The distance between the centers of the conductors and the length of the line
- C. The radius of the conductors and the frequency of the signal
- D. The frequency of the signal and the length of the line

~~

G9A02 (X)

What are the typical characteristic impedances of coaxial cables used for antenna feed lines at amateur stations?

- A. 25 and 30 ohms
- B. 50 and 75 ohms
- C. 80 and 100 ohms
- D. 500 and 750 ohms

~~

G9A03 (X)

What is the characteristic impedance of flat ribbon TV type twinlead?

- A. 50 ohms
- B. 75 ohms
- C. 100 ohms
- D. 300 ohms

~~

G9A04 (X)

What is the reason for the occurrence of reflected power at the point where a feed line connects to an antenna?

- A. Operating an antenna at its resonant frequency
- B. Using more transmitter power than the antenna can handle
- C. A difference between feed-line impedance and antenna feed-point impedance
- D. Feeding the antenna with unbalanced feed line

~~

G9A05 (X)

How does the attenuation of coaxial cable change as the frequency of the signal it is carrying increases?

- A. It is independent of frequency
- B. It increases
- C. It decreases
- D. It reaches a maximum at approximately 18 MHz

~~

G9A06 (X)

In what values are RF feed line losses usually expressed?

- A. ohms per 1000 ft
- B. dB per 1000 ft
- C. ohms per 100 ft
- D. dB per 100 ft

~~

G9A07 (X)

What must be done to prevent standing waves on an antenna feed line?

- A. The antenna feed point must be at DC ground potential
- B. The feed line must be cut to an odd number of electrical quarter wavelengths long
- C. The feed line must be cut to an even number of physical half wavelengths long
- D. The antenna feed-point impedance must be matched to the characteristic impedance of the feed line

~~

G9A08 (X)

If the SWR on an antenna feed line is 5 to 1, and a matching network at the transmitter end of the feed line is adjusted to 1 to 1 SWR, what is the resulting SWR on the feed line?

- A. 1 to 1
- B. 5 to 1
- C. Between 1 to 1 and 5 to 1 depending on the characteristic impedance of the line
- D. Between 1 to 1 and 5 to 1 depending on the reflected power at the transmitter

~~

G9A09 (X)

What standing wave ratio will result from the connection of a 50-ohm feed line to a non-reactive load having a 200-ohm impedance?

- A. 4:1
- B. 1:4
- C. 2:1
- D. 1:2

~~

G9A10 (X)

What standing wave ratio will result from the connection of a 50-ohm feed line to a non-reactive load having a 10-ohm impedance?

- A. 2:1
- B. 50:1
- C. 1:5
- D. 5:1

~~

G9A11 (X)

What standing wave ratio will result from the connection of a 50-ohm feed line to a non-reactive load having a 50-ohm impedance?

- A. 2:1
- B. 1:1
- C. 50:50
- D. 0:0

~~

G9A12 (X)

What would be the SWR if you feed a vertical antenna that has a 25-ohm feed-point impedance with 50-ohm coaxial cable?

- A. 2:1
- B. 2.5:1
- C. 1.25:1
- D. You cannot determine SWR from impedance values

~~

G9A13 (X)

What would be the SWR if you feed an antenna that has a 300-ohm feed-point impedance with 50-ohm coaxial cable?

- A. 1.5:1
- B. 3:1
- C. 6:1
- D. You cannot determine SWR from impedance values

~~

G9B - Basic antennas

G9B01 (X)

What is one disadvantage of a directly fed random-wire antenna?

- A. It must be longer than 1 wavelength
- B. You may experience RF burns when touching metal objects in your station
- C. It produces only vertically polarized radiation
- D. It is not effective on the higher HF bands

~~

G9B02 (X)

What is an advantage of downward sloping radials on a quarter wave ground-plane antenna?

- A. They lower the radiation angle
- B. They bring the feed-point impedance closer to 300 ohms
- C. They increase the radiation angle
- D. They bring the feed-point impedance closer to 50 ohms

~~

G9B03 (X)

What happens to the feed-point impedance of a ground-plane antenna when its radials are changed from horizontal to downward-sloping?

- A. It decreases
- B. It increases
- C. It stays the same
- D. It reaches a maximum at an angle of 45 degrees

~~

G9B04 (X)

What is the low angle azimuthal radiation pattern of an ideal half-wavelength dipole antenna installed $1/2$ wavelength high and parallel to the Earth?

- A. It is a figure-eight at right angles to the antenna
- B. It is a figure-eight off both ends of the antenna
- C. It is a circle (equal radiation in all directions)
- D. It has a pair of lobes on one side of the antenna and a single lobe on the other side

~~

G9B05 (X)

How does antenna height affect the horizontal (azimuthal) radiation pattern of a horizontal dipole HF antenna?

- A. If the antenna is too high, the pattern becomes unpredictable
- B. Antenna height has no effect on the pattern
- C. If the antenna is less than $1/2$ wavelength high, the azimuthal pattern is almost omnidirectional
- D. If the antenna is less than $1/2$ wavelength high, radiation off the ends of the wire is eliminated

~~

G9B06 (X)

Where should the radial wires of a ground-mounted vertical antenna system be placed?

- A. As high as possible above the ground
- B. Parallel to the antenna element
- C. On the surface or buried a few inches below the ground
- D. At the top of the antenna

~~

G9B07 (X)

How does the feed-point impedance of a $1/2$ wave dipole antenna change as the antenna is lowered from $1/4$ wave above ground?

- A. It steadily increases
- B. It steadily decreases
- C. It peaks at about $1/8$ wavelength above ground
- D. It is unaffected by the height above ground

~~

G9B08 (X)

How does the feed-point impedance of a 1/2 wave dipole change as the feed-point location is moved from the center toward the ends?

- A. It steadily increases
- B. It steadily decreases
- C. It peaks at about 1/8 wavelength from the end
- D. It is unaffected by the location of the feed point

~~

G9B09 (X)

Which of the following is an advantage of a horizontally polarized as compared to vertically polarized HF antenna?

- A. Lower ground reflection losses
- B. Lower feed-point impedance
- C. Shorter Radials
- D. Lower radiation resistance

~~

G9B10 (X)

What is the approximate length for a 1/2-wave dipole antenna cut for 14.250 MHz?

- A. 8 feet
- B. 16 feet
- C. 24 feet
- D. 32 feet

~~

G9B11 (X)

What is the approximate length for a 1/2-wave dipole antenna cut for 3.550 MHz?

- A. 42 feet
- B. 84 feet
- C. 131 feet
- D. 263 feet

~~

G9B12 (X)

What is the approximate length for a 1/4-wave vertical antenna cut for 28.5 MHz?

- A. 8 feet
- B. 11 feet
- C. 16 feet
- D. 21 feet

~~

G9C - Directional antennas

G9C01 (X)

Which of the following would increase the bandwidth of a Yagi antenna?

- A. Larger diameter elements
- B. Closer element spacing
- C. Loading coils in series with the element
- D. Tapered-diameter elements

~~

G9C02 (X)

What is the approximate length of the driven element of a Yagi antenna?

- A. 1/4 wavelength
- B. 1/2 wavelength
- C. 3/4 wavelength
- D. 1 wavelength

~~

G9C03 (X)

Which statement about a three-element, single-band Yagi antenna is true?

- A. The reflector is normally the shortest parasitic element
- B. The director is normally the shortest parasitic element
- C. The driven element is the longest parasitic element
- D. Low feed-point impedance increases bandwidth

~~

G9C04 (X)

Which statement about a three-element; single-band Yagi antenna is true?

- A. The reflector is normally the longest parasitic element
- B. The director is normally the longest parasitic element
- C. The reflector is normally the shortest parasitic element
- D. All of the elements must be the same length

~~

G9C05 (X)

How does increasing boom length and adding directors affect a Yagi antenna?

- A. Gain increases
- B. Beamwidth increases
- C. Weight decreases
- D. Wind load decreases

~~

G9C06 (X)

Which of the following is a reason why a Yagi antenna is often used for radio communications on the 20 meter band?

- A. It provides excellent omnidirectional coverage in the horizontal plane
- B. It is smaller, less expensive and easier to erect than a dipole or vertical antenna
- C. It helps reduce interference from other stations to the side or behind the antenna
- D. It provides the highest possible angle of radiation for the HF bands

~~

G9C07 (X)

What does "front-to-back ratio" mean in reference to a Yagi antenna?

- A. The number of directors versus the number of reflectors
- B. The relative position of the driven element with respect to the reflectors and directors
- C. The power radiated in the major radiation lobe compared to the power radiated in exactly the opposite direction
- D. The ratio of forward gain to dipole gain

~~

G9C08 (X)

What is meant by the "main lobe" of a directive antenna?

- A. The magnitude of the maximum vertical angle of radiation
- B. The point of maximum current in a radiating antenna element
- C. The maximum voltage standing wave point on a radiating element
- D. The direction of maximum radiated field strength from the antenna

~~

G9C09 (X)

What is the approximate maximum theoretical forward gain of a three element, single-band Yagi antenna?

- A. 9.7 dBi
- B. 9.7 dBd
- C. 5.4 times the gain of a dipole
- D. All of these choices are correct

~~

G9C10 (X)

Which of the following is a Yagi antenna design variable that could be adjusted to optimize forward gain, front-to-back ratio, or SWR bandwidth?

- A. The physical length of the boom
- B. The number of elements on the boom
- C. The spacing of each element along the boom
- D. All of these choices are correct

~~

G9C11 (X)

What is the purpose of a gamma match used with Yagi antennas?

- A. To match the relatively low feed-point impedance to 50 ohms
- B. To match the relatively high feed-point impedance to 50 ohms
- C. To increase the front to back ratio
- D. To increase the main lobe gain

~~

G9C12 (X)

Which of the following is an advantage of using a gamma match for impedance matching of a Yagi antenna to 50-ohm coax feed line?

- A. It does not require that the elements be insulated from the boom
- B. It does not require any inductors or capacitors
- C. It is useful for matching multiband antennas
- D. All of these choices are correct

~~

G9C13 (X)

Approximately how long is each side of a quad antenna driven element?

- A. 1/4 wavelength
- B. 1/2 wavelength
- C. 3/4 wavelength
- D. 1 wavelength

~~

G9C14 (X)

How does the forward gain of a two-element quad antenna compare to the forward gain of a three-element Yagi antenna?

- A. About 2/3 as much
- B. About the same
- C. About 1.5 times as much
- D. About twice as much

~~

G9C15 (X)

Approximately how long is each side of a quad antenna reflector element?

- A. Slightly less than 1/4 wavelength
- B. Slightly more than 1/4 wavelength
- C. Slightly less than 1/2 wavelength
- D. Slightly more than 1/2 wavelength

~~

G9C16 (X)

How does the gain of a two-element delta-loop beam compare to the gain of a two-element quad antenna?

- A. 3 dB higher
- B. 3 dB lower
- C. 2.54 dB higher
- D. About the same

~~

G9C17 (X)

Approximately how long is each leg of a symmetrical delta-loop antenna?

- A. 1/4 wavelength
- B. 1/3 wavelength
- C. 1/2 wavelength
- D. 2/3 wavelength

~~

G9C18 (X)

What happens when the feed point of a quad antenna is changed from the center of either horizontal wire to the center of either vertical wire?

- A. The polarization of the radiated signal changes from horizontal to vertical
- B. The polarization of the radiated signal changes from vertical to horizontal
- C. The direction of the main lobe is reversed
- D. The radiated signal changes to an omnidirectional pattern

~~

G9C19 (X)

What configuration of the loops of a two-element quad antenna must be used for the antenna to operate as a beam antenna, assuming one of the elements is used as a reflector?

- A. The driven element must be fed with a balun transformer
- B. The driven element must be open-circuited on the side opposite the feed point
- C. The reflector element must be approximately 5% shorter than the driven element
- D. The reflector element must be approximately 5% longer than the driven element

~~

G9C20 (X)

How does the gain of two 3-element horizontally polarized Yagi antennas spaced vertically 1/2 wavelength apart typically compare to the gain of a single 3-element Yagi?

- A. Approximately 1.5 dB higher
- B. Approximately 3 dB higher
- C. Approximately 6 dB higher
- D. Approximately 9 dB higher

~~

G9D - Specialized antennas

G9D01 (X)

What does the term "NVIS" mean as related to antennas?

- A. Nearly Vertical Inductance System
- B. Non-Visible Installation Specification
- C. Non-Varying Impedance Smoothing
- D. Near Vertical Incidence Sky wave

~~

G9D02 (X)

Which of the following is an advantage of an NVIS antenna?

- A. Low vertical angle radiation for working stations out to ranges of several thousand kilometers
- B. High vertical angle radiation for working stations within a radius of a few hundred kilometers
- C. High forward gain
- D. All of these choices are correct

~~

G9D03 (X)

At what height above ground is an NVIS antenna typically installed?

- A. As close to one-half wave as possible
- B. As close to one wavelength as possible
- C. Height is not critical as long as it is significantly more than 1/2 wavelength
- D. Between 1/10 and 1/4 wavelength

~~

G9D04 (X)

What is the primary purpose of antenna traps?

- A. To permit multiband operation
- B. To notch spurious frequencies
- C. To provide balanced feed-point impedance
- D. To prevent out of band operation

~~

G9D05 (X)

What is the advantage of vertical stacking of horizontally polarized Yagi antennas?

- A. Allows quick selection of vertical or horizontal polarization
- B. Allows simultaneous vertical and horizontal polarization
- C. Narrows the main lobe in azimuth
- D. Narrows the main lobe in elevation

~~

G9D06 (X)

Which of the following is an advantage of a log periodic antenna?

- A. Wide bandwidth
- B. Higher gain per element than a Yagi antenna
- C. Harmonic suppression
- D. Polarization diversity

~~

G9D07 (X)

Which of the following describes a log periodic antenna?

- A. Length and spacing of the elements increases logarithmically from one end of the boom to the other
- B. Impedance varies periodically as a function of frequency
- C. Gain varies logarithmically as a function of frequency
- D. SWR varies periodically as a function of boom length

~~

G9D08 (X)

Why is a Beverage antenna not used for transmitting?

- A. Its impedance is too low for effective matching
- B. It has high losses compared to other types of antennas
- C. It has poor directivity
- D. All of these choices are correct

~~

G9D09 (X)

Which of the following is an application for a Beverage antenna?

- A. Directional transmitting for low HF bands
- B. Directional receiving for low HF bands
- C. Portable direction finding at higher HF frequencies
- D. Portable direction finding at lower HF frequencies

~~

G9D10 (X)

Which of the following describes a Beverage antenna?

- A. A vertical antenna constructed from beverage cans
- B. A broad-band mobile antenna
- C. A helical antenna for space reception
- D. A very long and low directional receiving antenna

~~

G9D11 (X)

Which of the following is a disadvantage of multiband antennas?

- A. They present low impedance on all design frequencies
- B. They must be used with an antenna tuner
- C. They must be fed with open wire line
- D. They have poor harmonic rejection

~~

SUBELEMENT G0 – ELECTRICAL AND RF SAFETY [2 Exam Questions – 2 Groups]

G0A - RF safety principles, rules and guidelines; routine station evaluation

G0A01 (X)

What is one way that RF energy can affect human body tissue?

- A. It heats body tissue
- B. It causes radiation poisoning
- C. It causes the blood count to reach a dangerously low level
- D. It cools body tissue

~~

G0A02 (X)

Which of the following properties is important in estimating whether an RF signal exceeds the maximum permissible exposure (MPE)?

- A. Its duty cycle
- B. Its frequency
- C. Its power density
- D. All of these choices are correct

~~

G0A03 (X) [97.13(c)(1)]

How can you determine that your station complies with FCC RF exposure regulations?

- A. By calculation based on FCC OET Bulletin 65
- B. By calculation based on computer modeling
- C. By measurement of field strength using calibrated equipment
- D. All of these choices are correct

~~

G0A04 (X)

What does "time averaging" mean in reference to RF radiation exposure?

- A. The average time of day when the exposure occurs
- B. The average time it takes RF radiation to have any long-term effect on the body
- C. The total time of the exposure
- D. The total RF exposure averaged over a certain time

~~

G0A05 (X)

What must you do if an evaluation of your station shows RF energy radiated from your station exceeds permissible limits?

- A. Take action to prevent human exposure to the excessive RF fields
- B. File an Environmental Impact Statement (EIS-97) with the FCC
- C. Secure written permission from your neighbors to operate above the controlled MPE limits
- D. All of these choices are correct

~~

~~G0A06 (X) — Question withdrawn by QPC 2/22/2011~~

~~Which transmitter(s) at a multiple user site is/are responsible for RF safety compliance?~~

- ~~A. Only the most powerful transmitter on site~~
- ~~B. All transmitters on site, regardless of their power level or duty cycle~~
- ~~C. Any transmitter that contributes 5% or more of the MPE~~
- ~~D. Only those that operate at more than 50% duty cycle~~

~~

G0A07 (X)

What effect does transmitter duty cycle have when evaluating RF exposure?

- A. A lower transmitter duty cycle permits greater short-term exposure levels
- B. A higher transmitter duty cycle permits greater short-term exposure levels
- C. Low duty cycle transmitters are exempt from RF exposure evaluation requirements
- D. High duty cycle transmitters are exempt from RF exposure requirements

~~

G0A08 (X)

Which of the following steps must an amateur operator take to ensure compliance with RF safety regulations when transmitter power exceeds levels specified in part 97.13?

- A. Post a copy of FCC Part 97 in the station
- B. Post a copy of OET Bulletin 65 in the station
- C. Perform a routine RF exposure evaluation
- D. All of these choices are correct

~~

G0A09 (X)

What type of instrument can be used to accurately measure an RF field?

- A. A receiver with an S meter
- B. A calibrated field-strength meter with a calibrated antenna
- C. A betascope with a dummy antenna calibrated at 50 ohms
- D. An oscilloscope with a high-stability crystal marker generator

~~

G0A10 (X)

What is one thing that can be done if evaluation shows that a neighbor might receive more than the allowable limit of RF exposure from the main lobe of a directional antenna?

- A. Change from horizontal polarization to vertical polarization
- B. Change from horizontal polarization to circular polarization
- C. Use an antenna with a higher front-to-back ratio
- D. Take precautions to ensure that the antenna cannot be pointed in their direction

~~

G0A11 (X)

What precaution should you take if you install an indoor transmitting antenna?

- A. Locate the antenna close to your operating position to minimize feed-line radiation
- B. Position the antenna along the edge of a wall to reduce parasitic radiation
- C. Make sure that MPE limits are not exceeded in occupied areas
- D. No special precautions are necessary if SSB and CW are the only modes used

~~

G0A12 (X)

What precaution should you take whenever you make adjustments or repairs to an antenna?

- A. Ensure that you and the antenna structure are grounded
- B. Turn off the transmitter and disconnect the feed line
- C. Wear a radiation badge
- D. All of these choices are correct

~~

G0A13 (X)

What precaution should be taken when installing a ground-mounted antenna?

- A. It should not be installed higher than you can reach
- B. It should not be installed in a wet area
- C. It should be limited to 10 feet in height
- D. It should be installed so no one can be exposed to RF radiation in excess of maximum permissible limits

~~

G0B - Safety in the ham shack: electrical shock and treatment, safety grounding, fusing, interlocks, wiring, antenna and tower safety

G0B01 (X)

Which wire or wires in a four-conductor line cord should be attached to fuses or circuit breakers in a device operated from a 240-VAC single-phase source?

- A. Only the hot wires
- B. Only the neutral wire
- C. Only the ground wire
- D. All wires

~~

G0B02 (X)

What is the minimum wire size that may be safely used for a circuit that draws up to 20 amperes of continuous current?

- A. AWG number 20
- B. AWG number 16
- C. AWG number 12
- D. AWG number 8

~~

G0B03 (X)

Which size of fuse or circuit breaker would be appropriate to use with a circuit that uses AWG number 14 wiring?

- A. 100 amperes
- B. 60 amperes
- C. 30 amperes
- D. 15 amperes

~~

G0B04 (X)

Which of the following is a primary reason for not placing a gasoline-fueled generator inside an occupied area?

- A. Danger of carbon monoxide poisoning
- B. Danger of engine over torque
- C. Lack of oxygen for adequate combustion
- D. Lack of nitrogen for adequate combustion

~~

G0B05 (X)

Which of the following conditions will cause a Ground Fault Circuit Interrupter (GFCI) to disconnect the 120 or 240 Volt AC line power to a device?

- A. Current flowing from one or more of the hot wires to the neutral wire
- B. Current flowing from one or more of the hot wires directly to ground
- C. Over-voltage on the hot wire
- D. All of these choices are correct

~~

G0B06 (X)

Why must the metal enclosure of every item of station equipment be grounded?

- A. It prevents blowing of fuses in case of an internal short circuit
- B. It prevents signal overload
- C. It ensures that the neutral wire is grounded
- D. It ensures that hazardous voltages cannot appear on the chassis

~~

G0B07 (X)

Which of the following should be observed for safety when climbing on a tower using a safety belt or harness?

- A. Never lean back and rely on the belt alone to support your weight
- B. Always attach the belt safety hook to the belt D-ring with the hook opening away from the tower
- C. Ensure that all heavy tools are securely fastened to the belt D-ring
- D. Make sure that your belt is grounded at all times

~~

G0B08 (X)

What should be done by any person preparing to climb a tower that supports electrically powered devices?

- A. Notify the electric company that a person will be working on the tower
- B. Make sure all circuits that supply power to the tower are locked out and tagged
- C. Unground the base of the tower
- D. All of these choices are correct

~~

G0B09 (X)

Why should soldered joints not be used with the wires that connect the base of a tower to a system of ground rods?

- A. The resistance of solder is too high
- B. Solder flux will prevent a low conductivity connection
- C. Solder has too high a dielectric constant to provide adequate lightning protection
- D. A soldered joint will likely be destroyed by the heat of a lightning strike

~~

G0B10 (X)

Which of the following is a danger from lead-tin solder?

- A. Lead can contaminate food if hands are not washed carefully after handling
- B. High voltages can cause lead-tin solder to disintegrate suddenly
- C. Tin in the solder can "cold flow" causing shorts in the circuit
- D. RF energy can convert the lead into a poisonous gas

~~

G0B11 (X)

Which of the following is good engineering practice for lightning protection grounds?

- A. They must be bonded to all buried water and gas lines
- B. Bends in ground wires must be made as close as possible to a right angle
- C. Lightning grounds must be connected to all ungrounded wiring
- D. They must be bonded together with all other grounds

~~

G0B12 (X)

What is the purpose of a transmitter power supply interlock?

- A. To prevent unauthorized access to a transmitter
- B. To guarantee that you cannot accidentally transmit out of band
- C. To ensure that dangerous voltages are removed if the cabinet is opened
- D. To shut off the transmitter if too much current is drawn

~~

G0B13 (X)

What must you do when powering your house from an emergency generator?

- A. Disconnect the incoming utility power feed
- B. Insure that the generator is not grounded
- C. Insure that all lightning grounds are disconnected
- D. All of these choices are correct

~~

G0B14 (X)

Which of the following is covered by the National Electrical Code?

- A. Acceptable bandwidth limits
- B. Acceptable modulation limits
- C. Electrical safety inside the ham shack
- D. RF exposure limits of the human body

~~

G0B15 (X)

Which of the following is true of an emergency generator installation?

- A. The generator should be located in a well ventilated area
- B. The generator should be insulated from ground
- C. Fuel should be stored near the generator for rapid refueling in case of an emergency
- D. All of these choices are correct

~~

G0B16 (X)

When might a lead acid storage battery give off explosive hydrogen gas?

- A. When stored for long periods of time
- B. When being discharged
- C. When being charged
- D. When not placed on a level surface

~~

2011-2015 Element 3 Figure G7-1

Revised 2-22-2011 Figure G7-1 was replaced to correct schematic error in which the varactor diode (item 4) was shown reversed. (See new G7-1 files on the website: www.ncvec.org for additional formats available for download.)

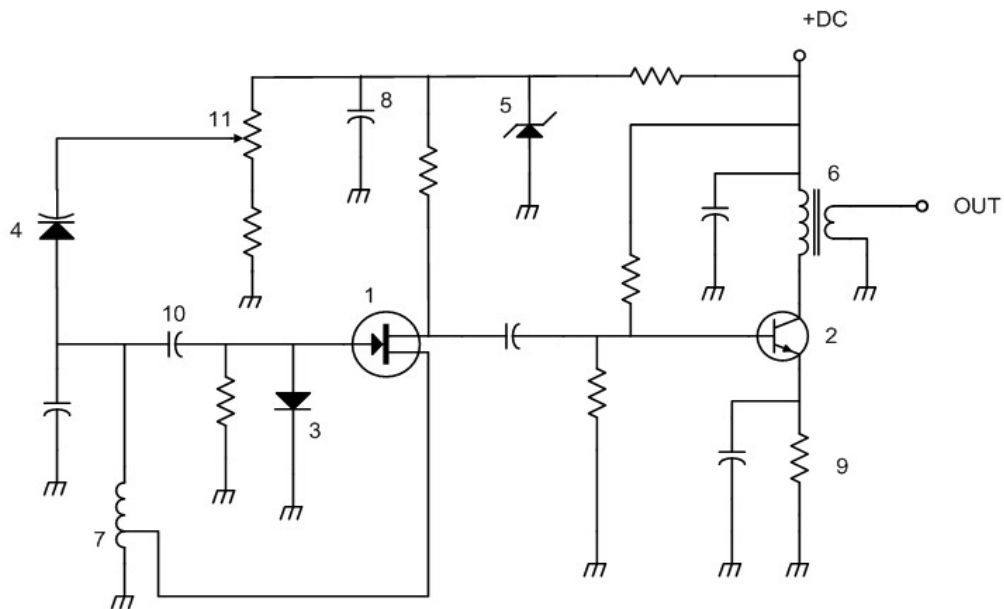


Figure G7-1

~~ End of Pool ~~